

4

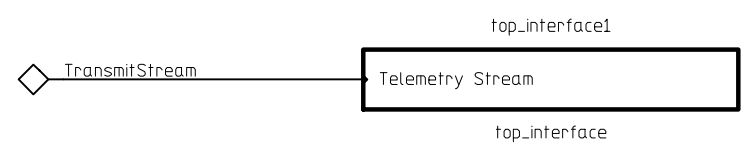
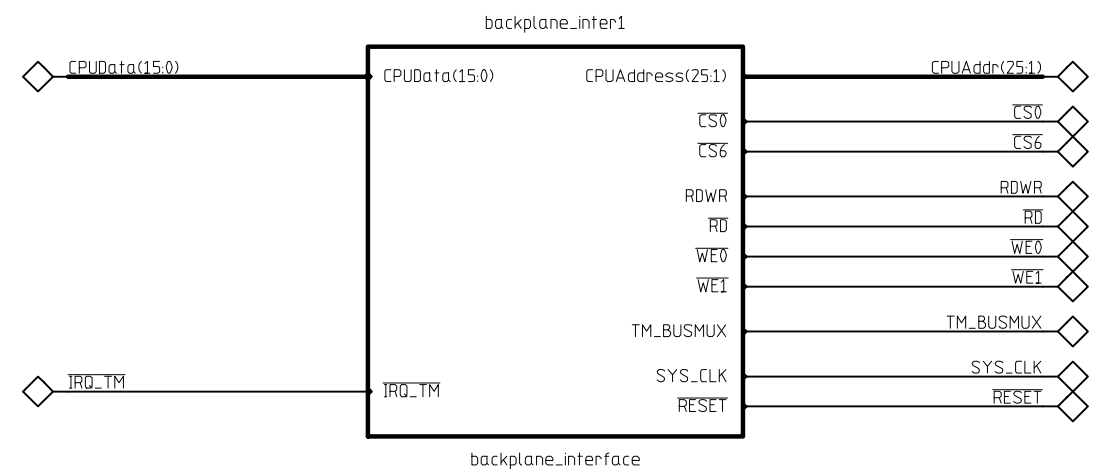
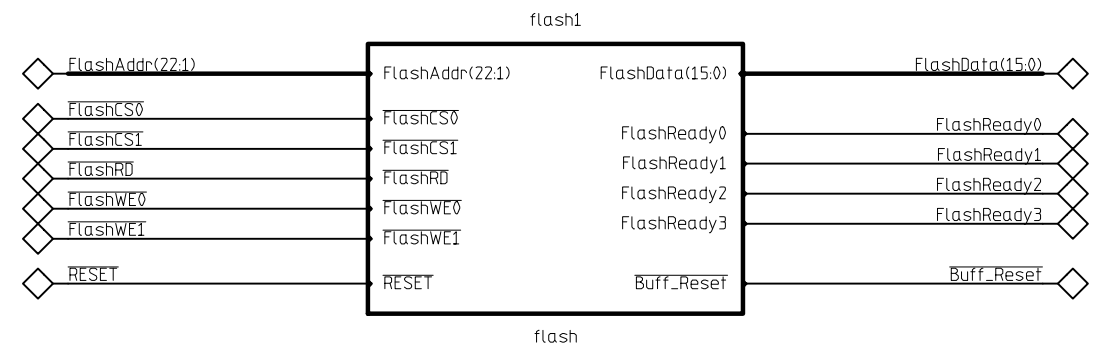
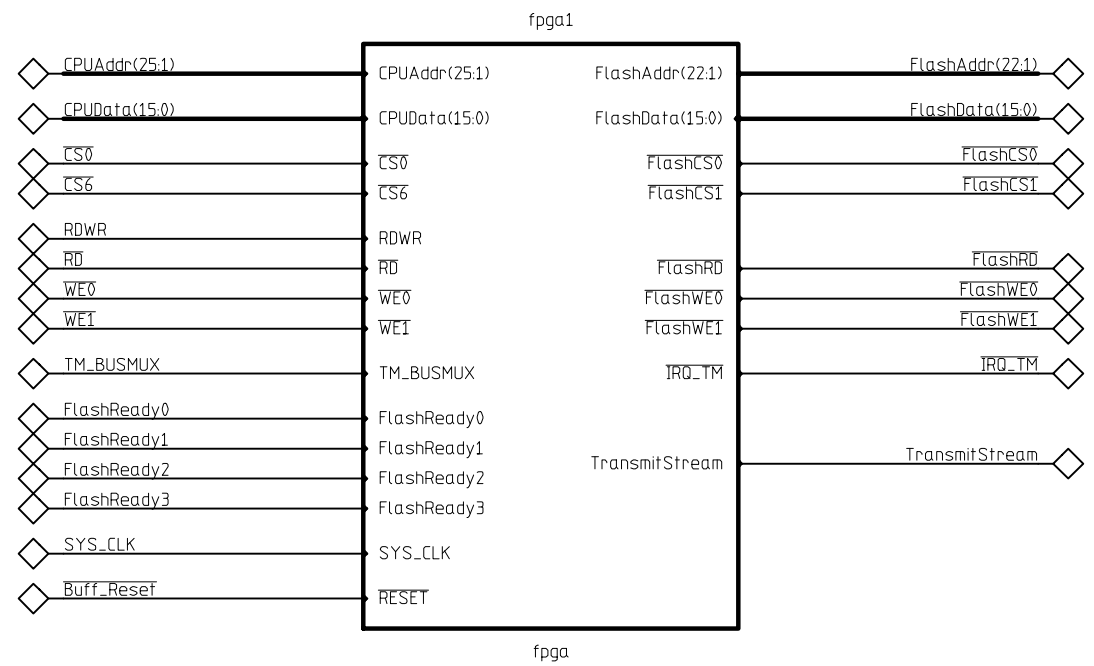
3

2

1

D

D



C

C

B

B

A

A



SPACE DYNAMICS LABORATORY  
 UTAH STATE UNIVERSITY RESEARCH FOUNDATION  
 North Logan, Utah 84341

TITLE USUSAT/10N-F Telemetry Board Top-Level Diagram			
SCHEMATIC NAME <b>board_level</b>	INSTANCE NAME board_level	DRAWING NUMBER 30-0008	SCH REV -
SCHEMATIC 1 OF 5	INSTANCE 1 OF 1	SCH-INST SHEET 01 OF 01	

4

3

2

1

4

3

2

1

D

D

C

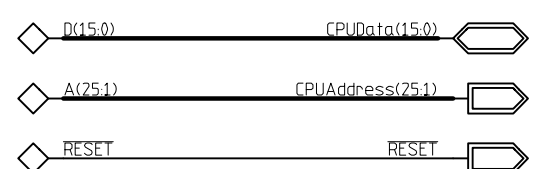
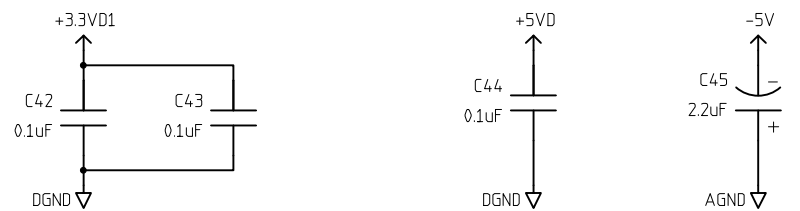
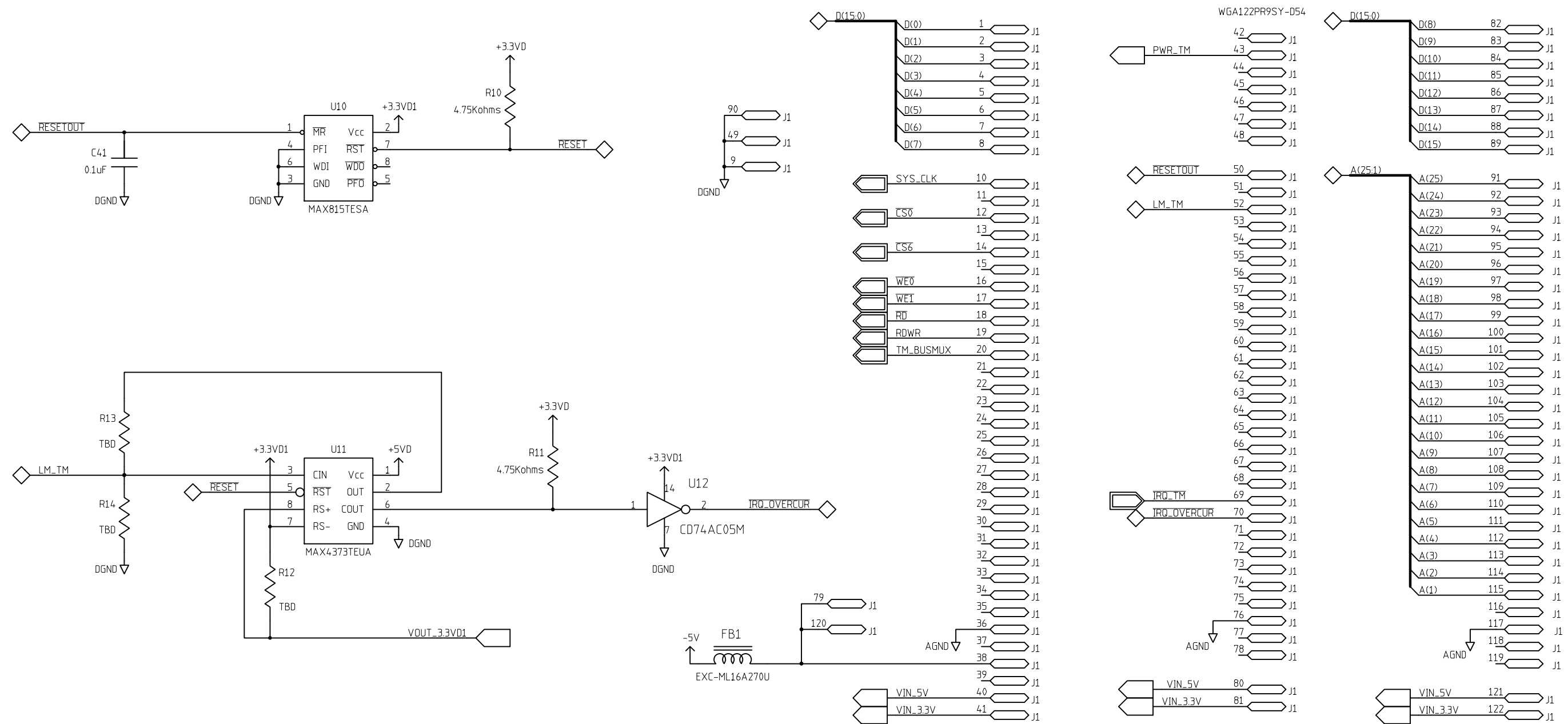
C

B

B

A

A



**SPACE DYNAMICS LABORATORY**  
**UTAH STATE UNIVERSITY RESEARCH FOUNDATION**  
 North Logan, Utah 84341

TITLE  
 USUSAT/ION-F Telemetry Board Backplane Interface

SCHEMATIC NAME backplane_interface	INSTANCE NAME backplane_inter1	DRAWING NUMBER 30-0008	SCH REV -
SCHEMATIC 2 OF 5	INSTANCE 1 OF 1	SCH-INST SHEET 01 OF 03	

4

3

2

1

4

3

2

1

D

D

C

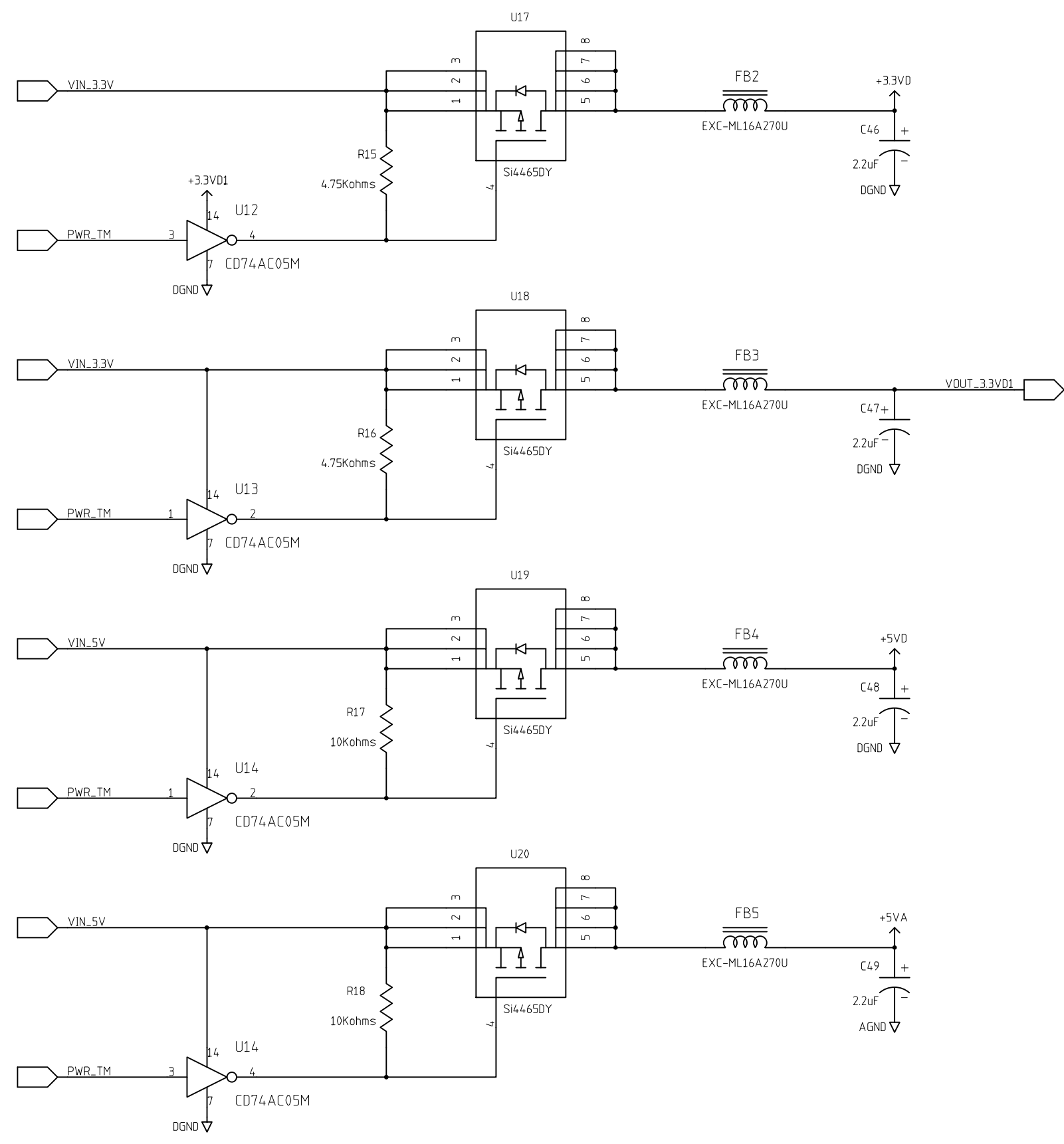
C

B

B

A

A



**SPACE DYNAMICS LABORATORY**  
 UTAH STATE UNIVERSITY RESEARCH FOUNDATION  
 North Logan, Utah 84341

TITLE  
 USUSAT/ION-F Telemetry Board Backplane Interface Power Switching

SCHEMATIC NAME backplane_interface	INSTANCE NAME backplane_inter1	DRAWING NUMBER 30-0008	SCH REV -
SCHEMATIC 2 OF 5	INSTANCE 1 OF 1	SCH-INST SHEET 02 OF 03	

4

3

2

1

4

3

2

1

D

D

C

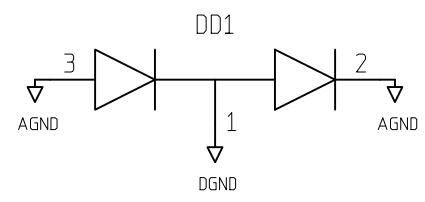
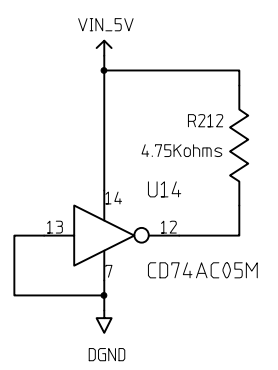
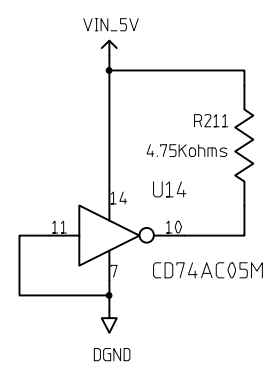
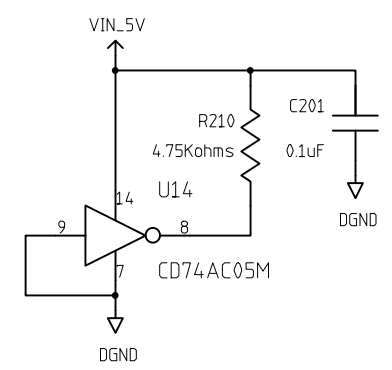
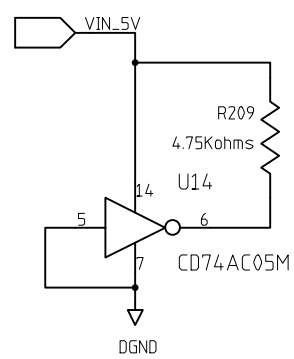
C


B

B

A

A



 <b>SPACE DYNAMICS LABORATORY</b> UTAH STATE UNIVERSITY RESEARCH FOUNDATION North Logan, Utah 84341			
TITLE USUSAT/ION-F Telemetry Board Backplane Interface Power Switching			
SCHEMATIC NAME	INSTANCE NAME	DRAWING NUMBER	SCH REV
backplane_interface	backplane_inter1	30-0008	-
SCHEMATIC	INSTANCE	SCH-INST SHEET	
2 OF 5	1 OF 1	03 OF 03	

4

3

2

1

D

D

C

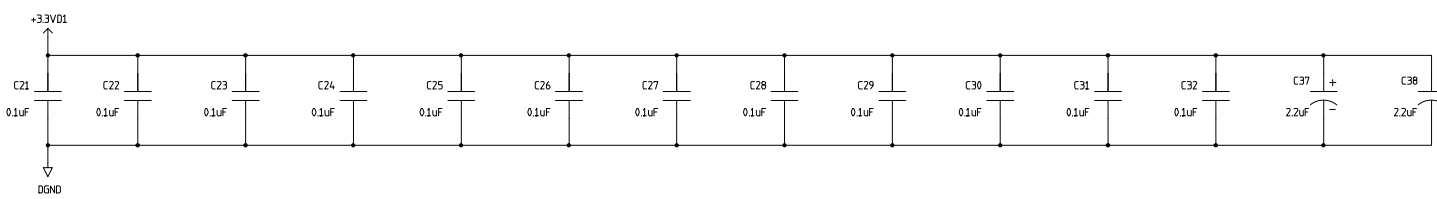
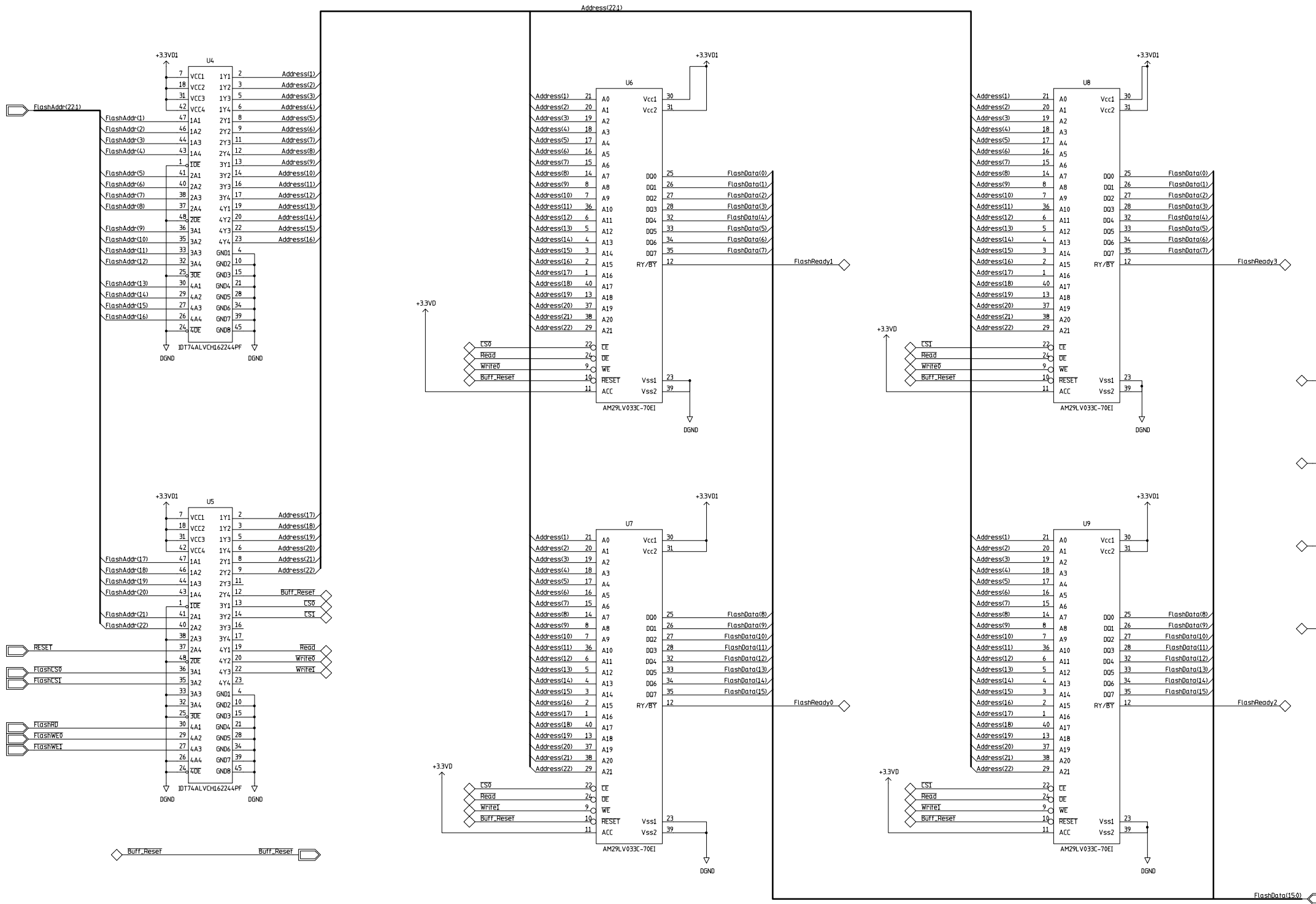
C


B

B

A

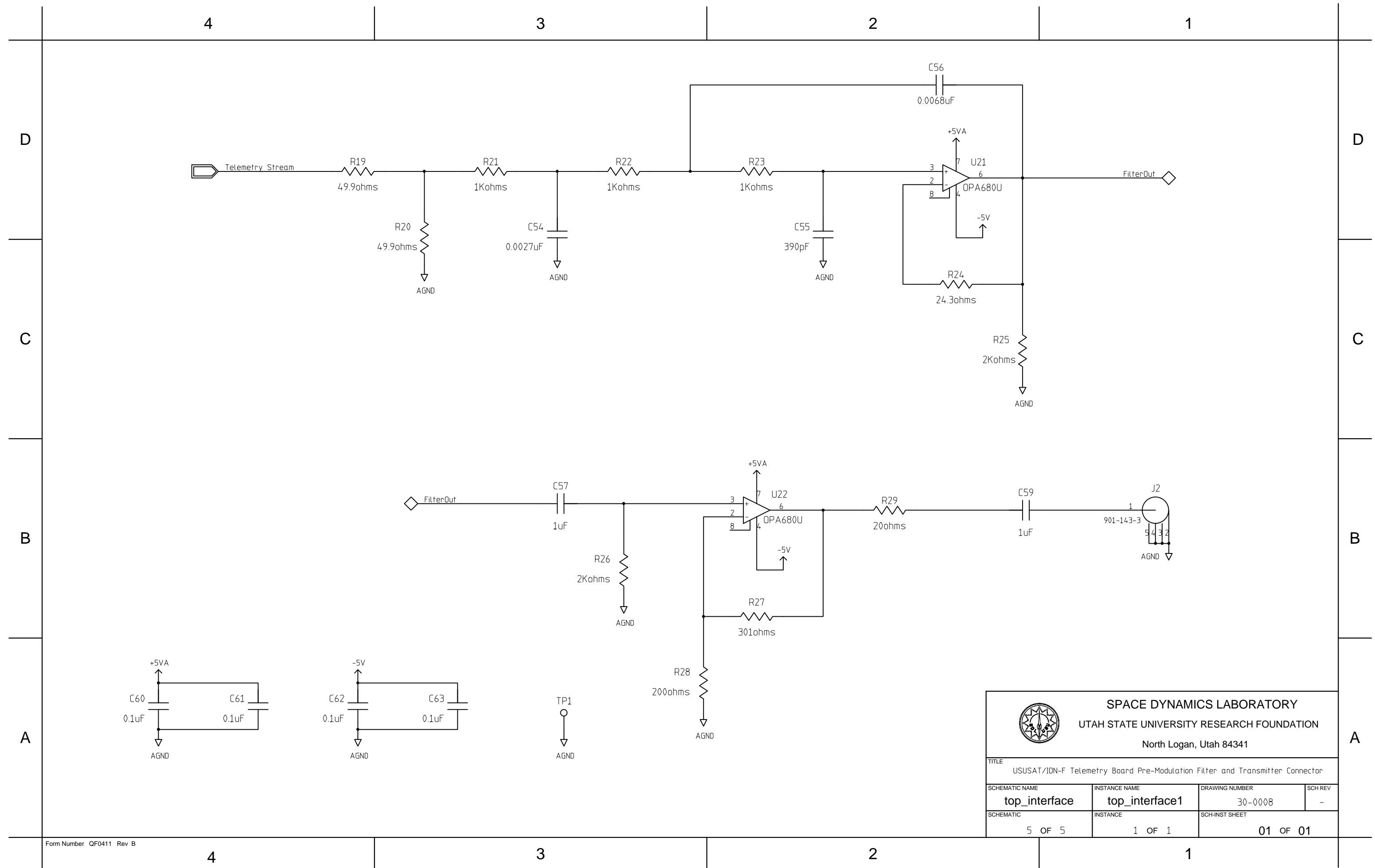
A




**SPACE DYNAMICS LABORATORY**  
 UTAH STATE UNIVERSITY RESEARCH FOUNDATION  
 North Logan, Utah 84341

TITLE <b>USUSAT/ION-F Telemetry Board Flash Memory Subsystem</b>			
SCHEMATIC NAME	INSTANCE NAME	DRAWING NUMBER	SCH REV
flash	flash1	30-0008	-
SCHEMATIC	INSTANCE	SCH-INST SHEET	
3 OF 5	1 OF 1	01 OF 01	





SPACE DYNAMICS LABORATORY  
 UTAH STATE UNIVERSITY RESEARCH FOUNDATION  
 North Logan, Utah 84341

TITLE USUSAT/ION-F Telemetry Board Pre-Modulation Filter and Transmitter Connector			
SCHEMATIC NAME <b>top_interface</b>	INSTANCE NAME <b>top_interface1</b>	DRAWING NUMBER 30-0008	SCH REV -
SCHEMATIC 5 OF 5	INSTANCE 1 OF 1	SCH-INST SHEET 01 OF 01	