

4

3

2

1

D

D

C

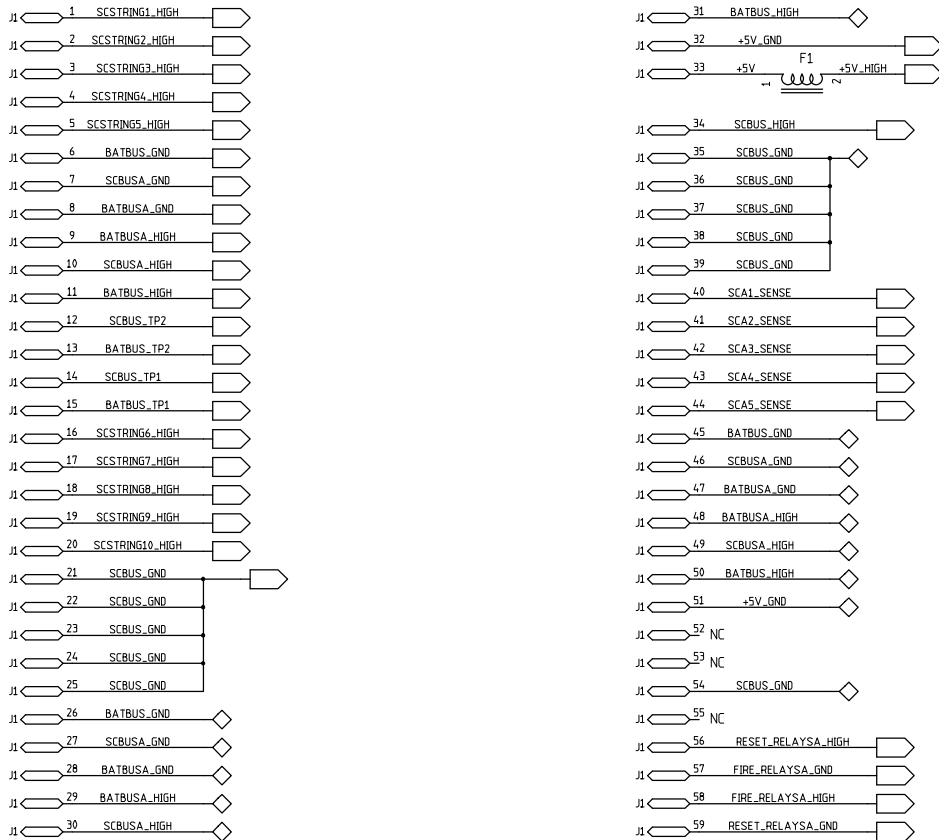
C


B

B

A

A




SPACE DYNAMICS LABORATORY
 UTAH STATE UNIVERSITY RESEARCH FOUNDATION
 North Logan, Utah 84341

TITLE Power Board Three External Interface

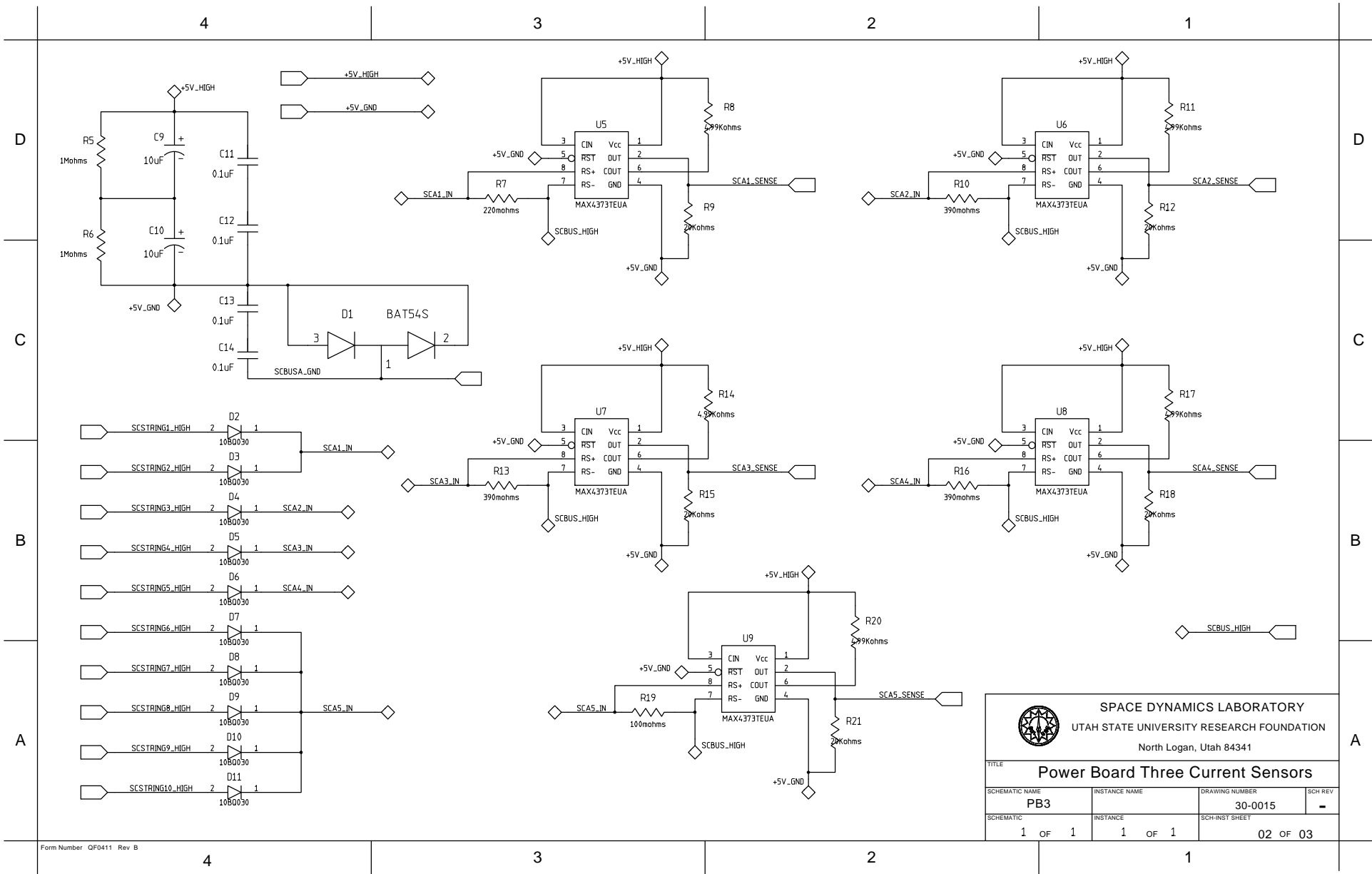
SCHEMATIC NAME	INSTANCE NAME	DRAWING NUMBER	SCH REV
PB3		30-0015	-
SCHEMATIC	INSTANCE	SCH-INST SHEET	
1 OF 1	1 OF 1	01 OF 03	


4

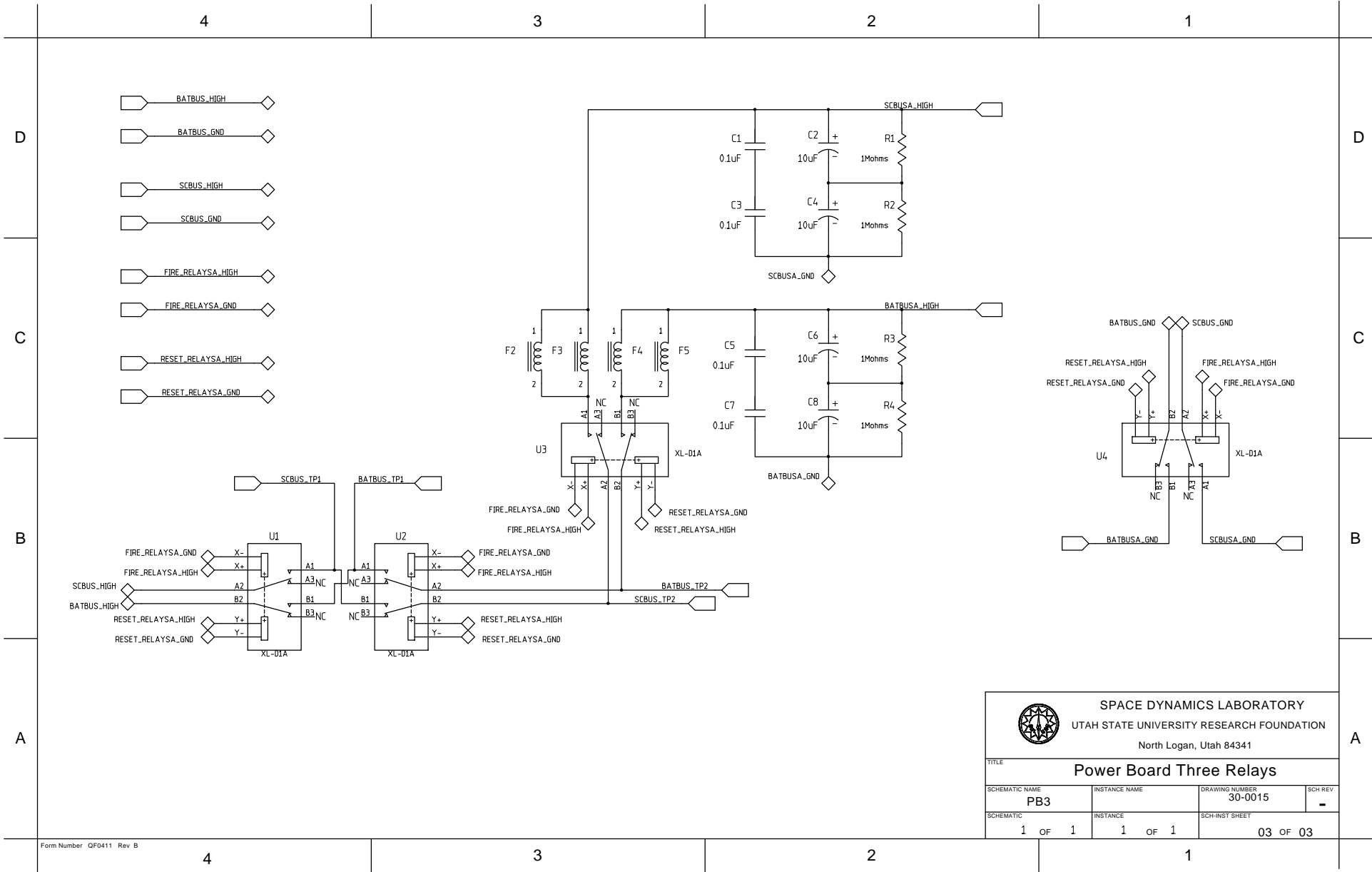
3


2

1



 SPACE DYNAMICS LABORATORY UTAH STATE UNIVERSITY RESEARCH FOUNDATION North Logan, Utah 84341			
Power Board Three Current Sensors			
SCHEMATIC NAME	INSTANCE NAME	DRAWING NUMBER	SCH REV
PB3		30-0015	-
SCHEMATIC	INSTANCE	SCH-INST SHEET	
1 OF 1	1 OF 1	02 OF 03	



 SPACE DYNAMICS LABORATORY UTAH STATE UNIVERSITY RESEARCH FOUNDATION North Logan, Utah 84341				
Power Board Three Relays				
SCHEMATIC NAME		INSTANCE NAME	DRAWING NUMBER	SCH REV
PB3			30-0015	-
SCHEMATIC		INSTANCE	SCH-INST SHEET	
1 OF 1		1 OF 1	03 OF 03	