 <b>SPACE DYNAMICS LABORATORY</b> UTAH STATE UNIVERSITY RESEARCH FOUNDATION North Logan, Utah 84341			
<b>TITLE</b> USUSAT / ION-F I/O Board BP Connector and FPGA Interface			
<b>SCHEMATIC NAME</b> 30-0028	<b>INSTANCE NAME</b> 30-0028	<b>DRAWING NUMBER</b> 30-0028	<b>REV</b> -
<b>SCHEMATIC</b> 1 OF 1	<b>INSTANCE</b> 1 OF 1	<b>SCH-INST SHEET</b> 01 OF 06	

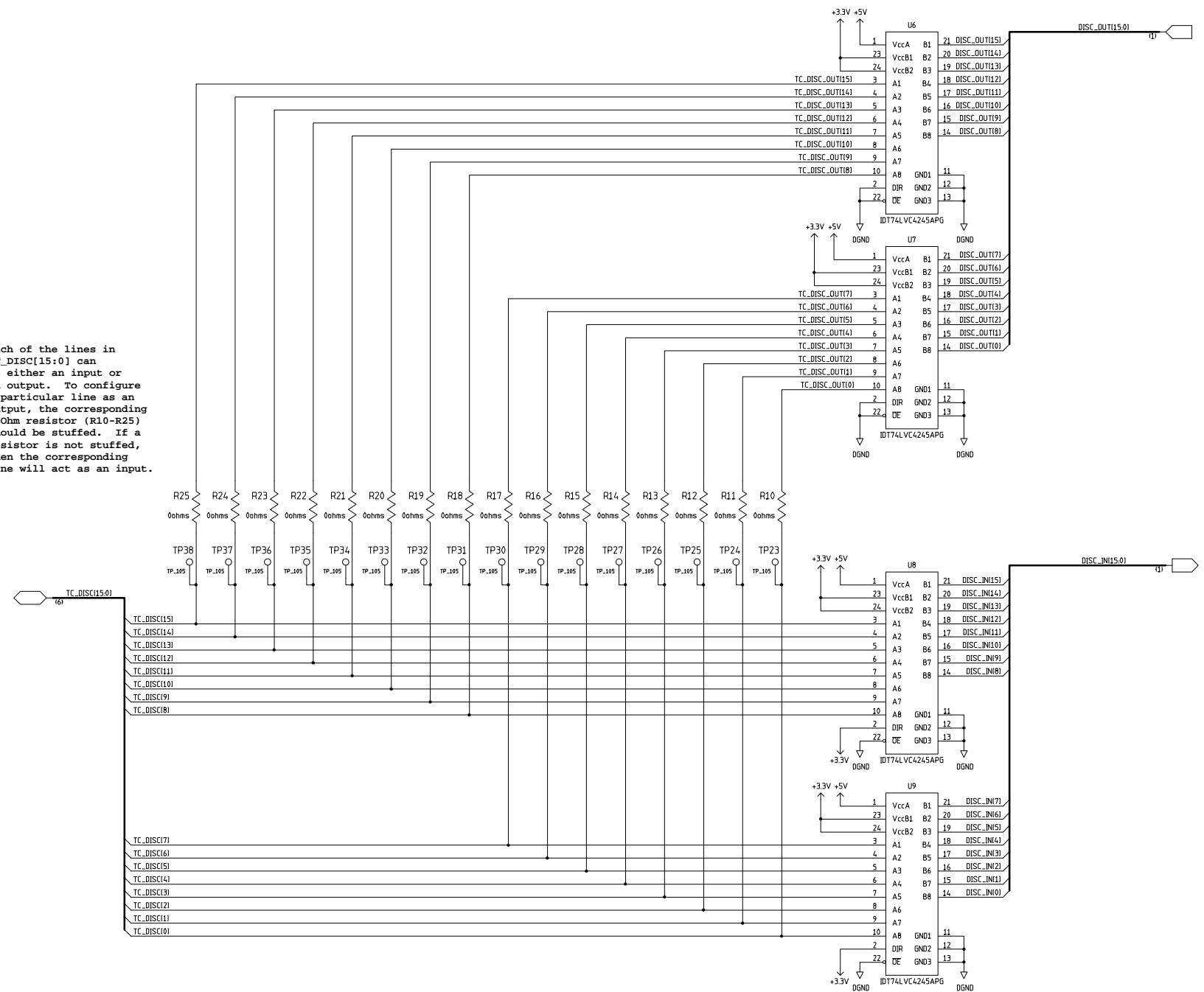
D

C

B

A

Each of the lines in TC\_DISC[15:0] can be either an input or an output. To configure a particular line as an output, the corresponding 0-Ohm resistor (R10-R25) should be stuffed. If a resistor is not stuffed, then the corresponding line will act as an input.




D

C

B

A


**SPACE DYNAMICS LABORATORY**  
 UTAH STATE UNIVERSITY RESEARCH FOUNDATION  
 North Logan, Utah 84341

TITLE <b>USUSAT / ION-F I/O Board - Discrete I/O</b>			
SCHEMATIC NAME <b>30-0028</b>	INSTANCE NAME <b>30-0028</b>	DRAWING NUMBER <b>30-0028</b>	SCH REV <b>-</b>
SCHEMATIC <b>1 OF 1</b>	INSTANCE <b>1 OF 1</b>	SCH-INST SHEET <b>02 OF 06</b>	

D

D

C

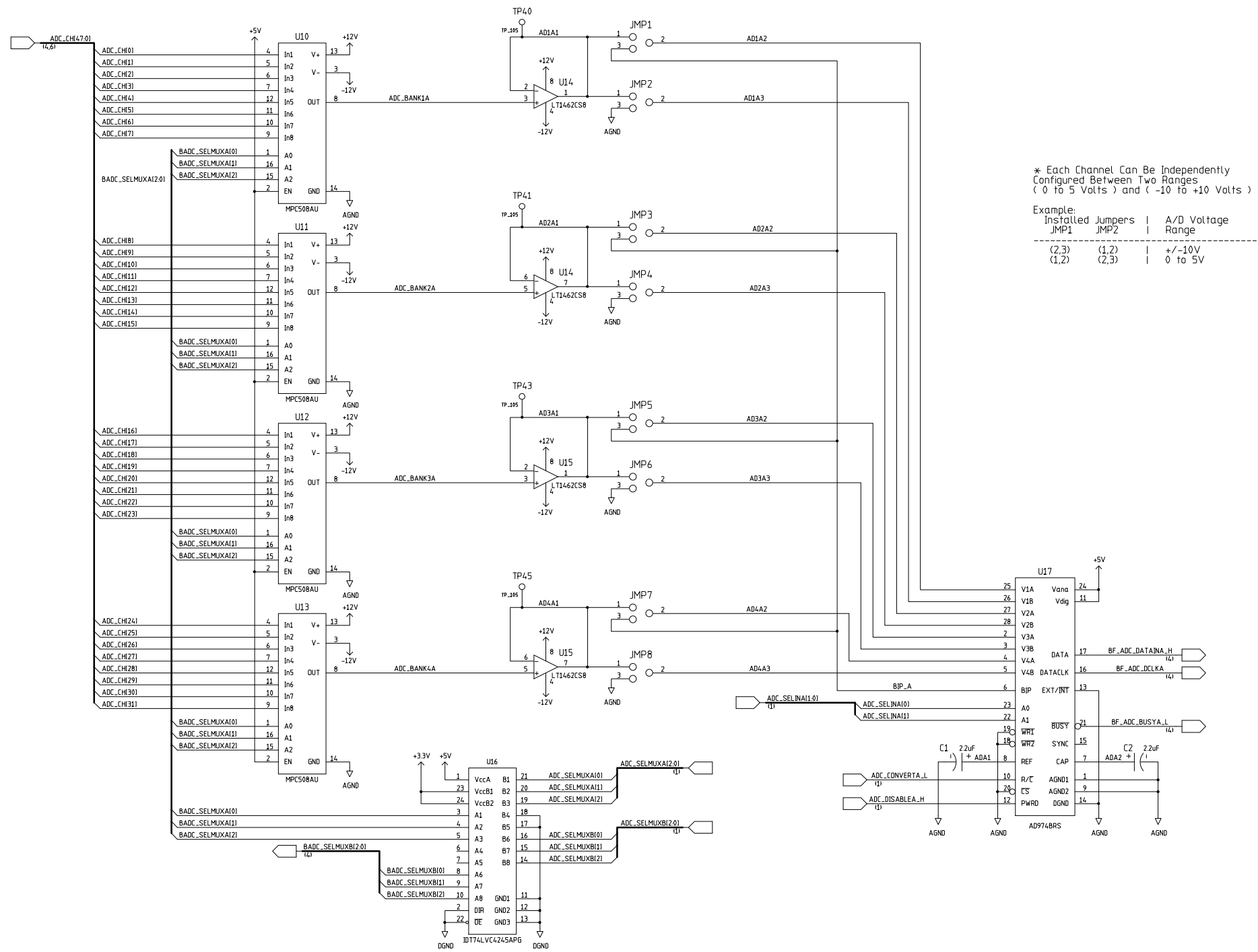
C


B

B

A

A





**SPACE DYNAMICS LABORATORY**  
 UTAH STATE UNIVERSITY RESEARCH FOUNDATION  
 North Logan, Utah 84341

TITLE <b>USUSAT / ION-F I/O Board - A/D Interface Bank A</b>			
SCHEMATIC NAME <b>30-0028</b>	INSTANCE NAME <b>30-0028</b>	DRAWING NUMBER <b>30-0028</b>	SCH REV <b>-</b>
SCHEMATIC <b>1 OF 1</b>	INSTANCE <b>1 OF 1</b>	SCH-INST SHEET <b>03 OF 06</b>	

D

C

B

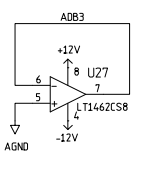
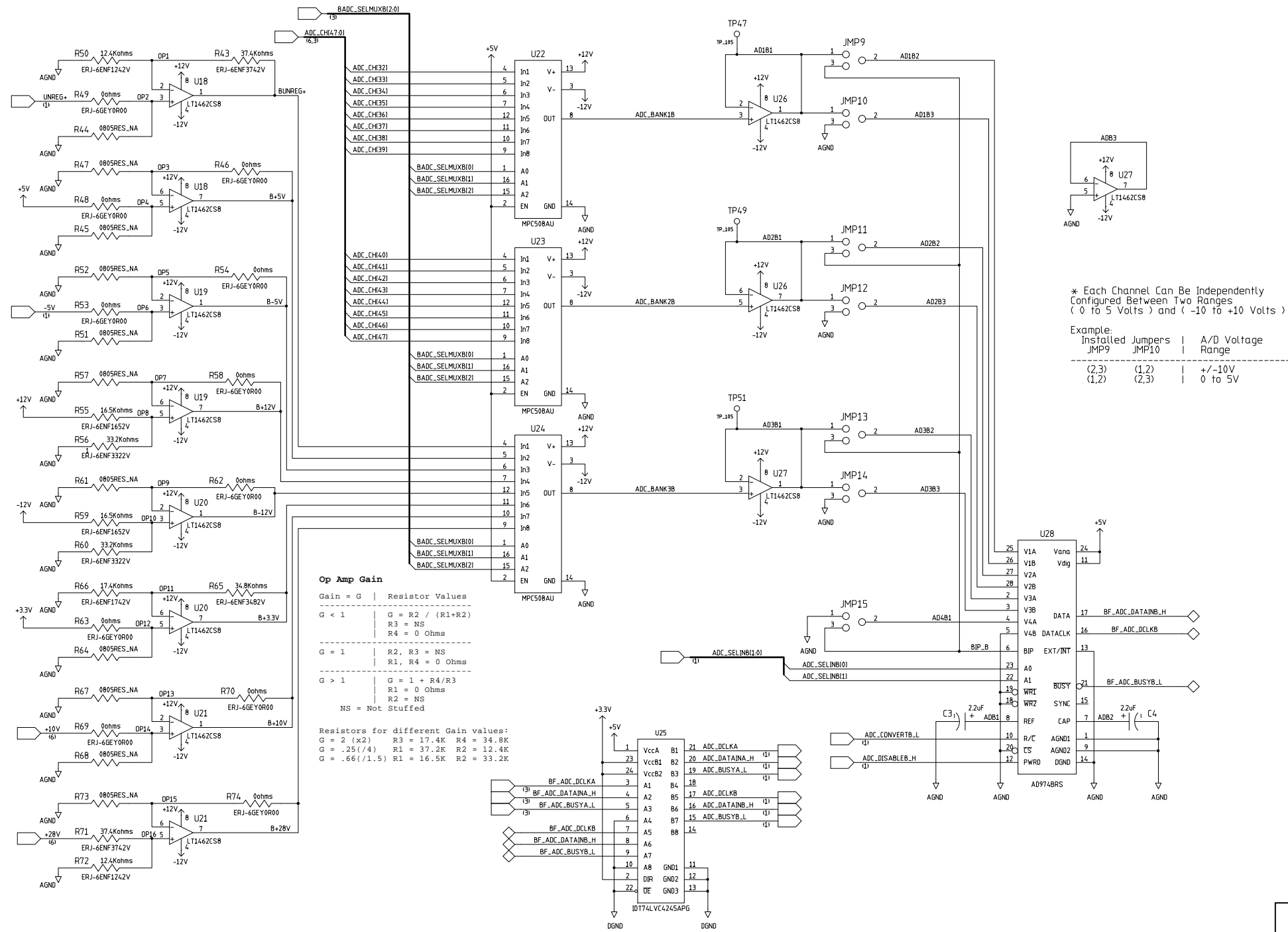
A

D

C

B


A



\* Each Channel Can Be Independently Configured Between Two Ranges ( 0 to 5 Volts ) and ( -10 to +10 Volts )

Example:

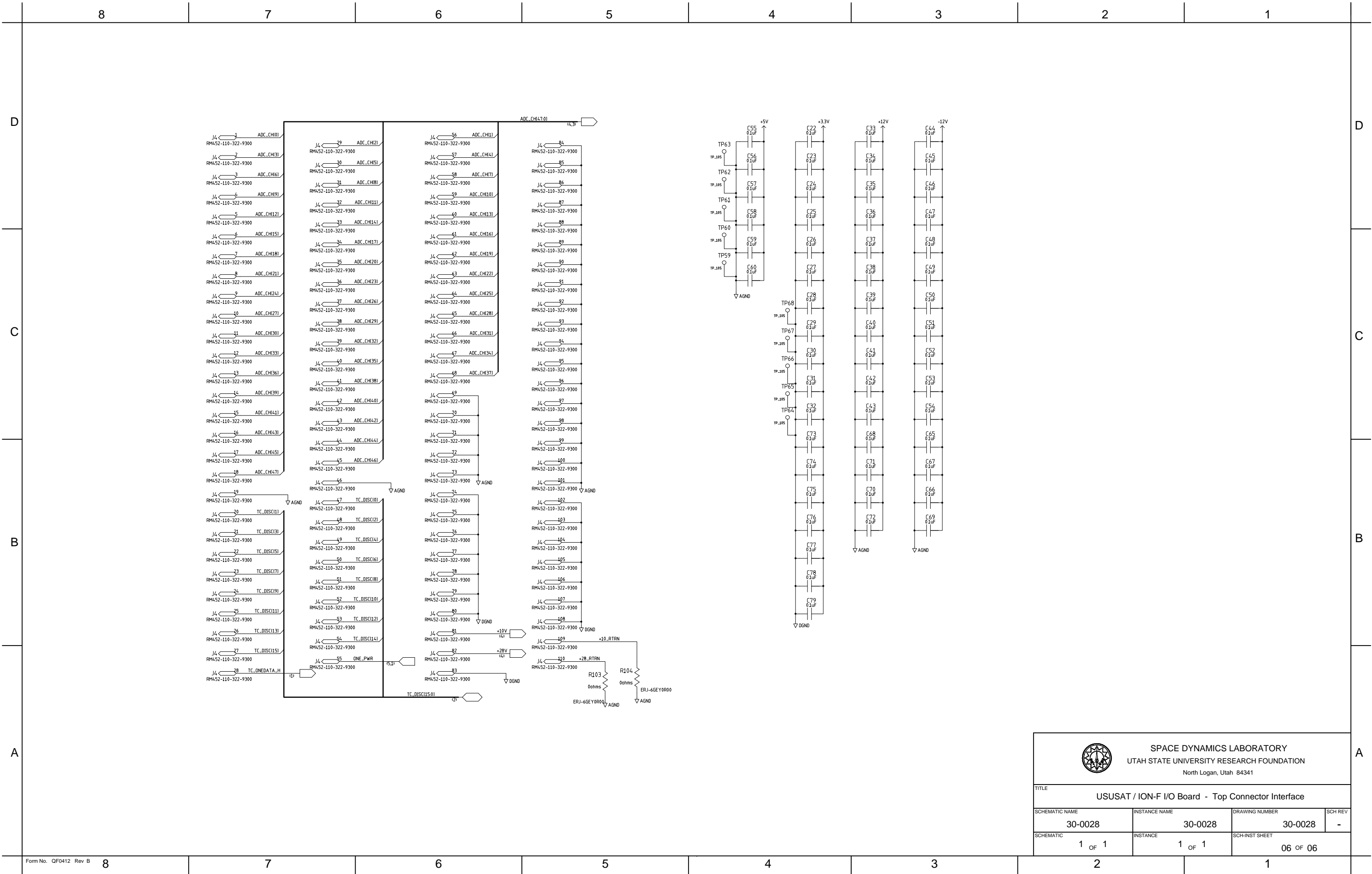
Installed Jumpers	A/D Voltage Range
JMP9 JMP10	+/-10V
(2,3) (1,2)	0 to 5V



**SPACE DYNAMICS LABORATORY**  
 UTAH STATE UNIVERSITY RESEARCH FOUNDATION  
 North Logan, Utah 84341

TITLE: **USUSAT / ION-F I/O Board - A/D Interface Bank B**

SCHEMATIC NAME <b>30-0028</b>	INSTANCE NAME <b>30-0028</b>	DRAWING NUMBER <b>30-0028</b>	SCH REV <b>-</b>
SCHEMATIC <b>1 OF 1</b>	INSTANCE <b>1 OF 1</b>	SCH-INST SHEET <b>04 OF 06</b>	





 <b>SPACE DYNAMICS LABORATORY</b> UTAH STATE UNIVERSITY RESEARCH FOUNDATION North Logan, Utah 84341			
<b>TITLE</b> USUSAT / ION-F I/O Board - Top Connector Interface			
<b>SCHEMATIC NAME</b> 30-0028	<b>INSTANCE NAME</b> 30-0028	<b>DRAWING NUMBER</b> 30-0028	<b>SCH REV</b> -
<b>SCHEMATIC</b> 1 OF 1	<b>INSTANCE</b> 1 OF 1	<b>SCH-INST SHEET</b> 06 OF 06	