

4

3

2

1

D

D

C

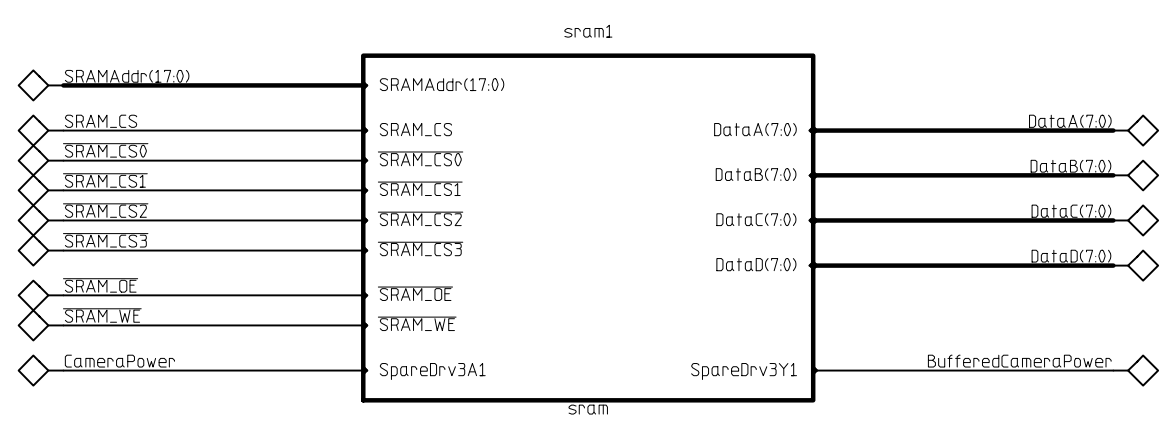
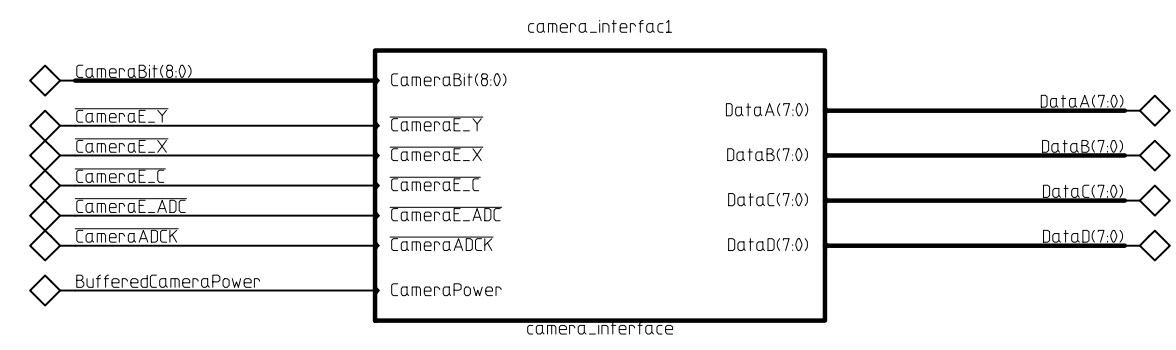
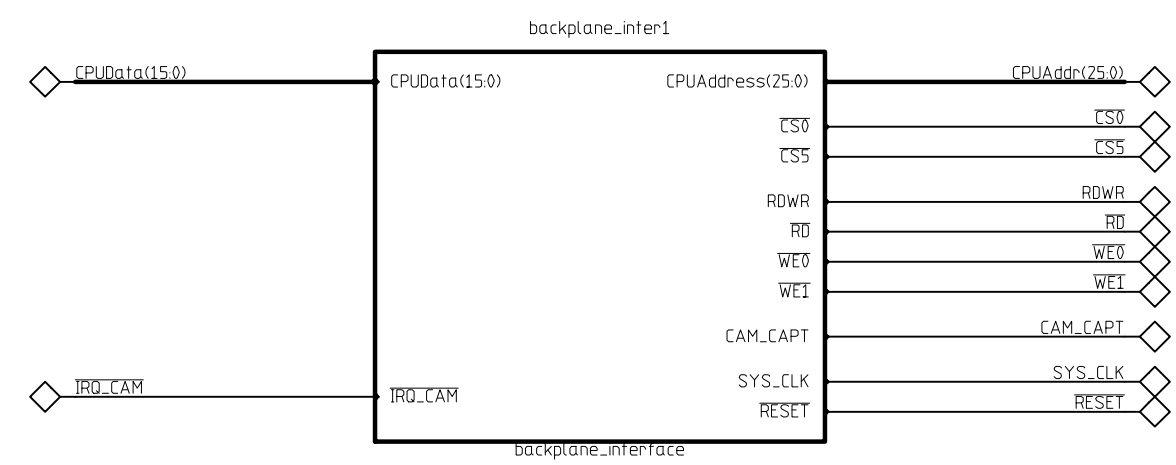
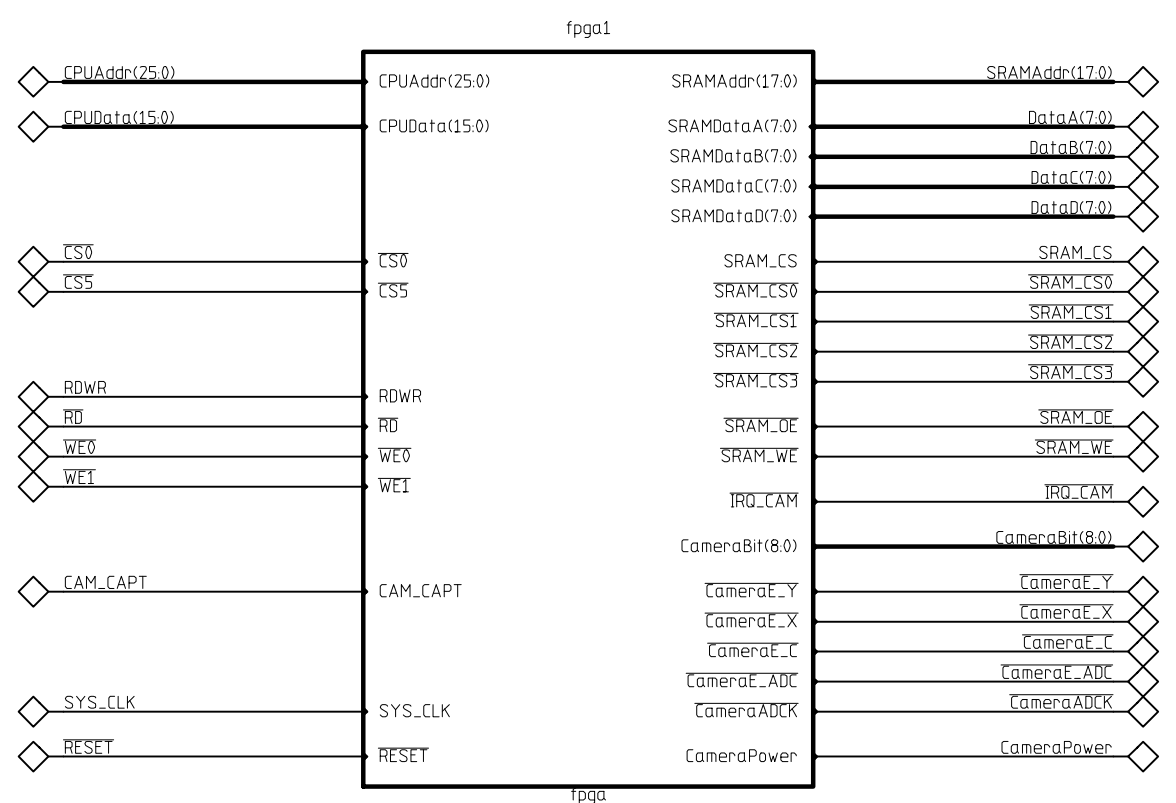
C


B

B

A

A



 SPACE DYNAMICS LABORATORY UTAH STATE UNIVERSITY RESEARCH FOUNDATION North Logan, Utah 84341			
TITLE USUSAT / ION-F Camera Board SRAM Memory Subsystem			
SCHEMATIC NAME board_level	INSTANCE NAME board_level	DRAWING NUMBER 30-0009	SCH REV -
SCHEMATIC 1 OF 5	INSTANCE 1 OF 1	SCH-INST SHEET 01 OF 01	

4

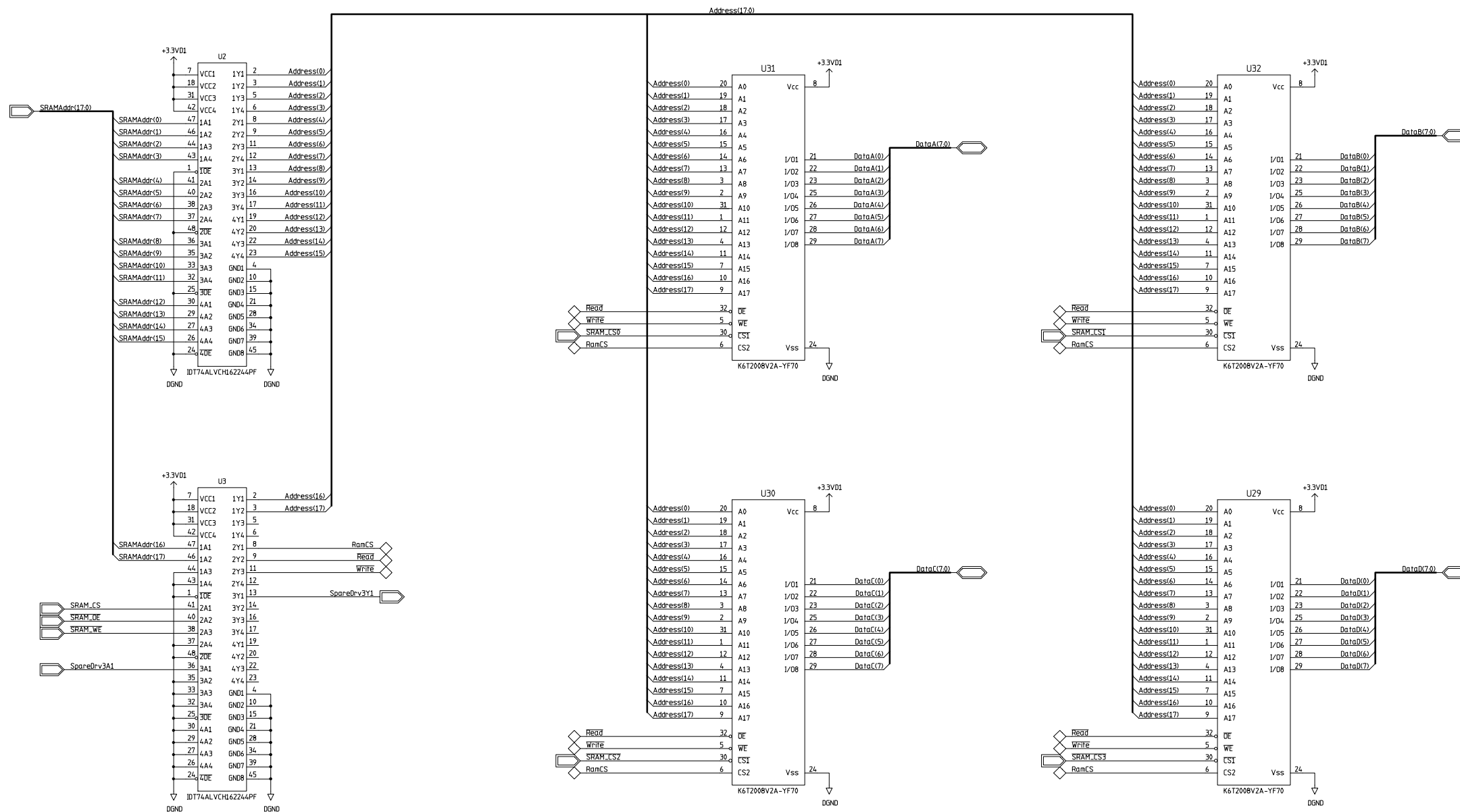
3

2

1

D

D



C

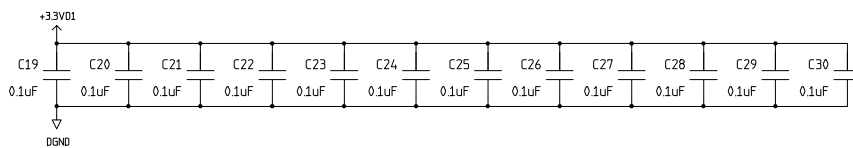
C

B

B

A

A



SPACE DYNAMICS LABORATORY
UTAH STATE UNIVERSITY RESEARCH FOUNDATION
North Logan, Utah 84341

TITLE USUSAT/ION-F Camera Board SRAM Memory Subsystem			
SCHEMATIC NAME sram	INSTANCE NAME sram1	DRAWING NUMBER 30-0009	SCH REV A
SCHEMATIC 2 OF 5	INSTANCE 1 OF 1	SCH-INST SHEET 01 OF 01	

D

D

C

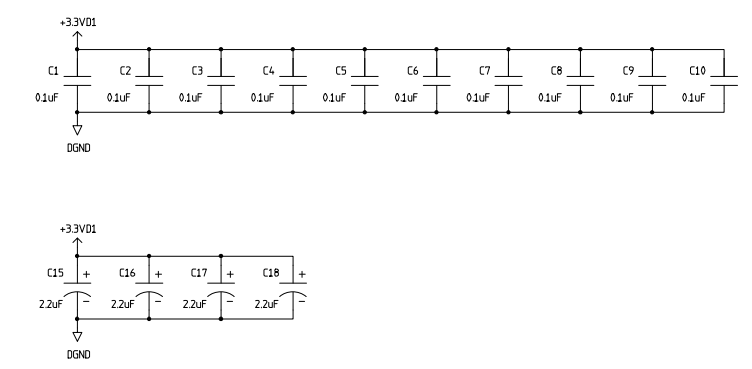
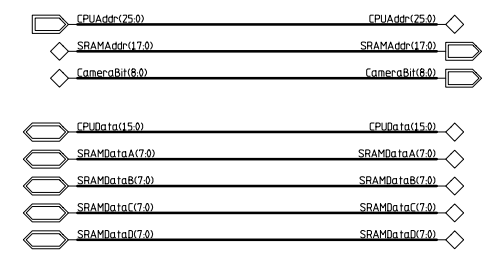
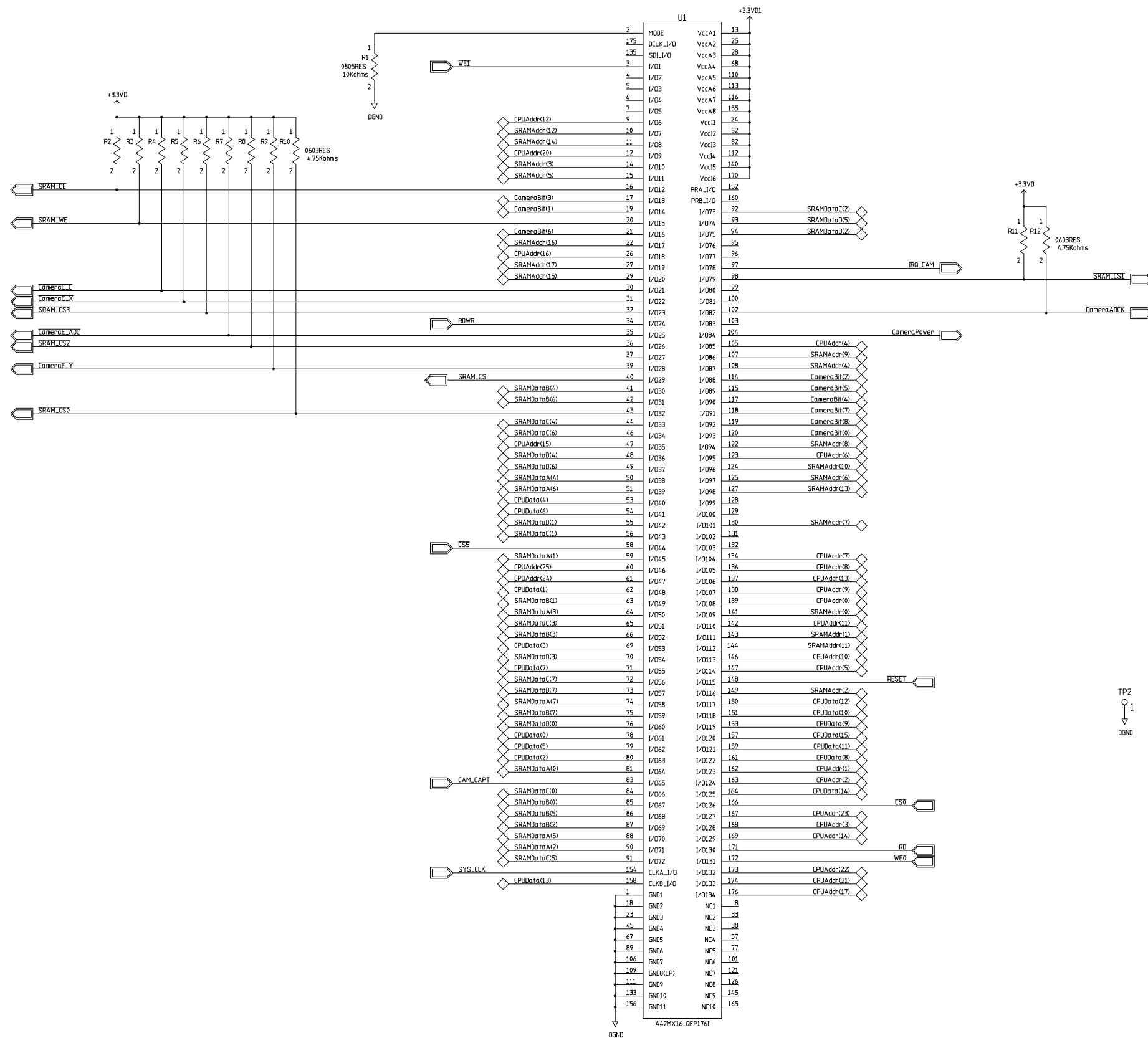
C


B

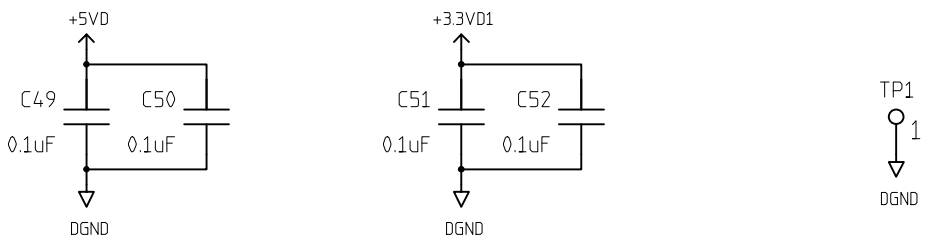
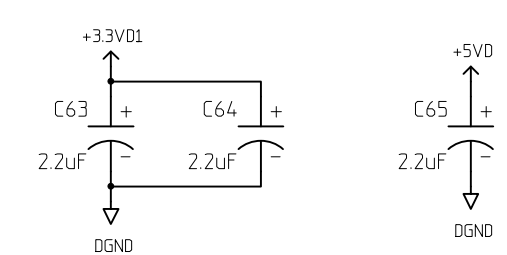
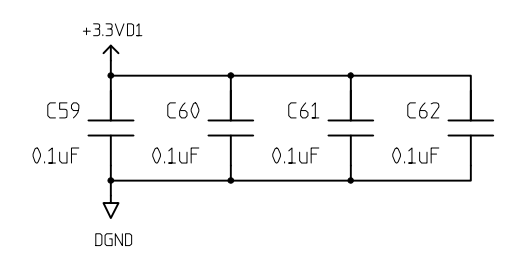
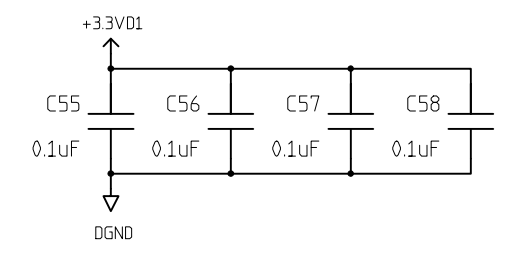
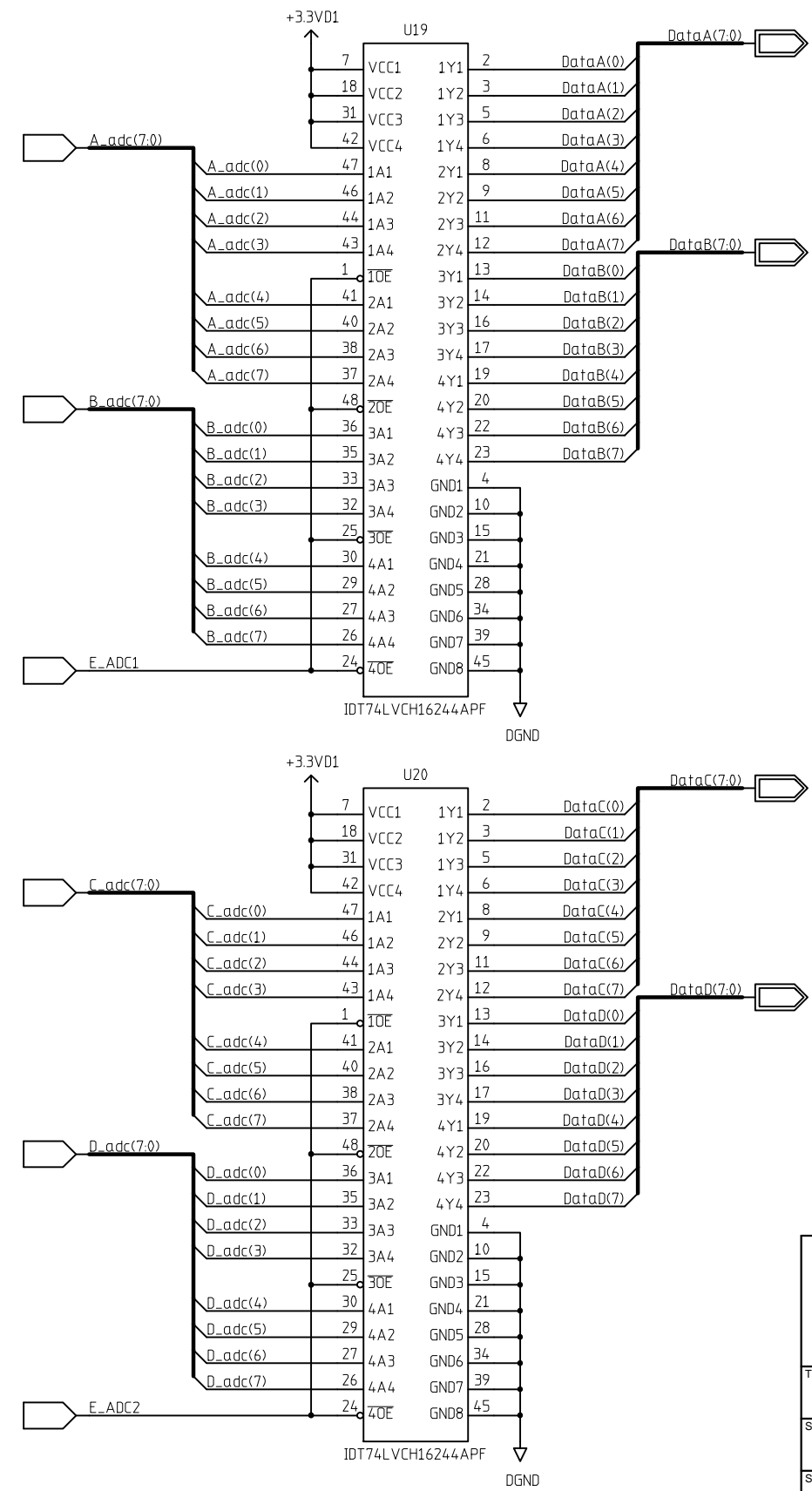
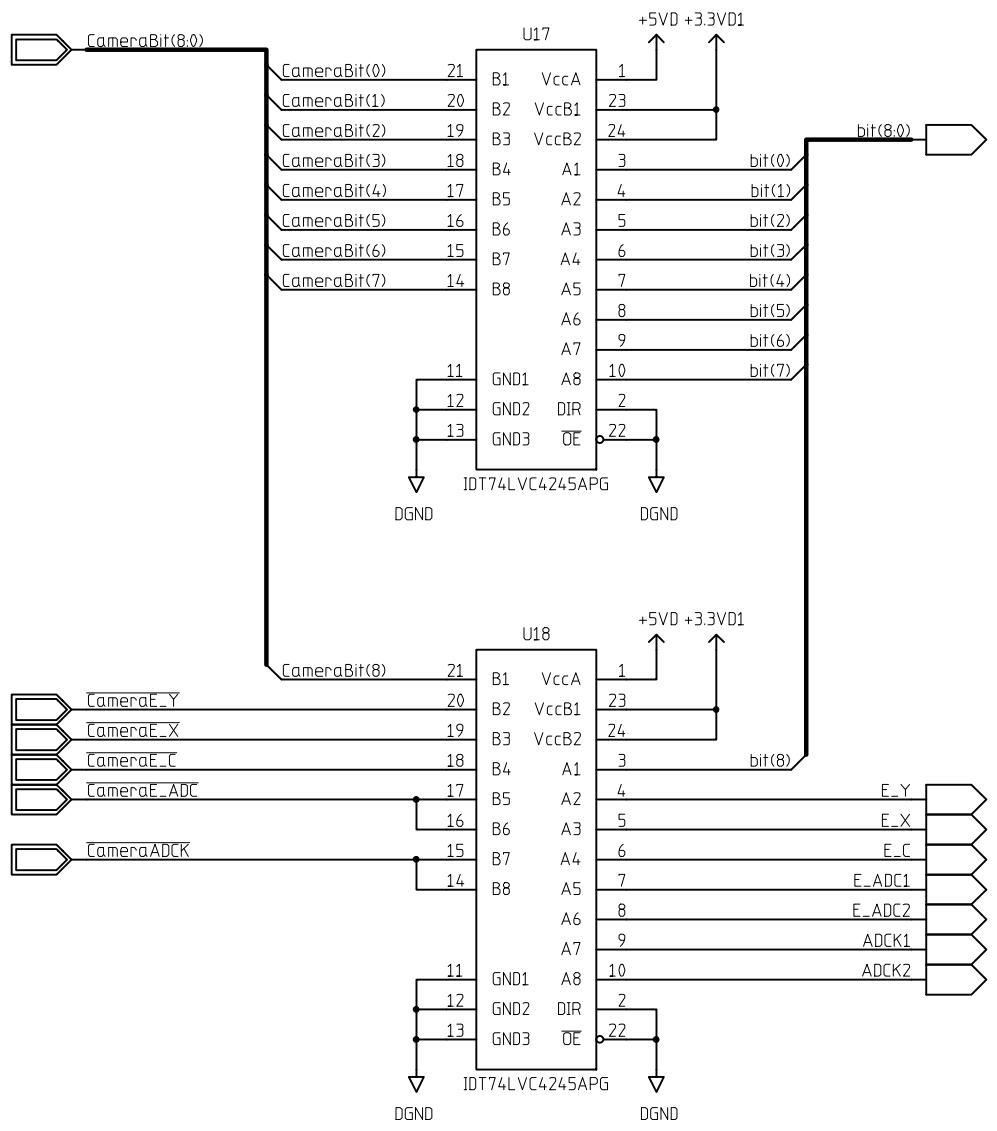
B


A

A



 SPACE DYNAMICS LABORATORY UTAH STATE UNIVERSITY RESEARCH FOUNDATION North Logan, Utah 84341			
TITLE USUSAT/ION-F Camera Board FPGA Interface			
SCHEMATIC NAME fpga	INSTANCE NAME fpga1	DRAWING NUMBER 30-0009	SCH REV -
SCHEMATIC 3 OF 5	INSTANCE 1 OF 1	SCH-INST SHEET 01 OF 01	



 SPACE DYNAMICS LABORATORY UTAH STATE UNIVERSITY RESEARCH FOUNDATION North Logan, Utah 84341			
TITLE USUSAT/ION-F Camera Board CMOS Camera Interface			
SCHMATIC NAME camera_interface	INSTANCE NAME camera_interfac1	DRAWING NUMBER 30-0009	SCH REV -
SCHMATIC 4 OF 5	INSTANCE 1 OF 1	SCH-INST SHEET 01 OF 03	

4

3

2

1

D

D

C

C

B

B

A

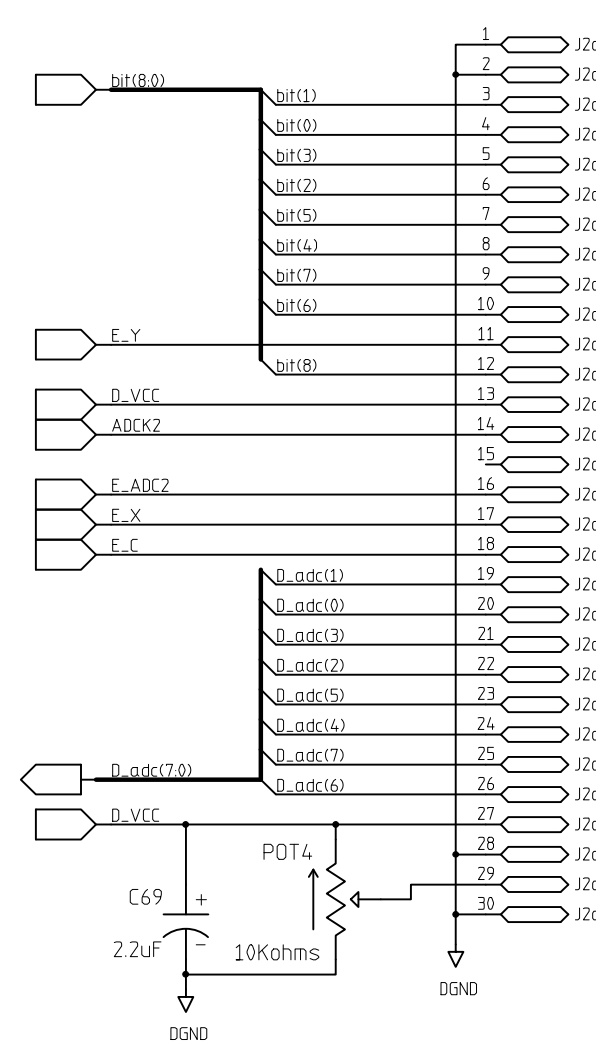
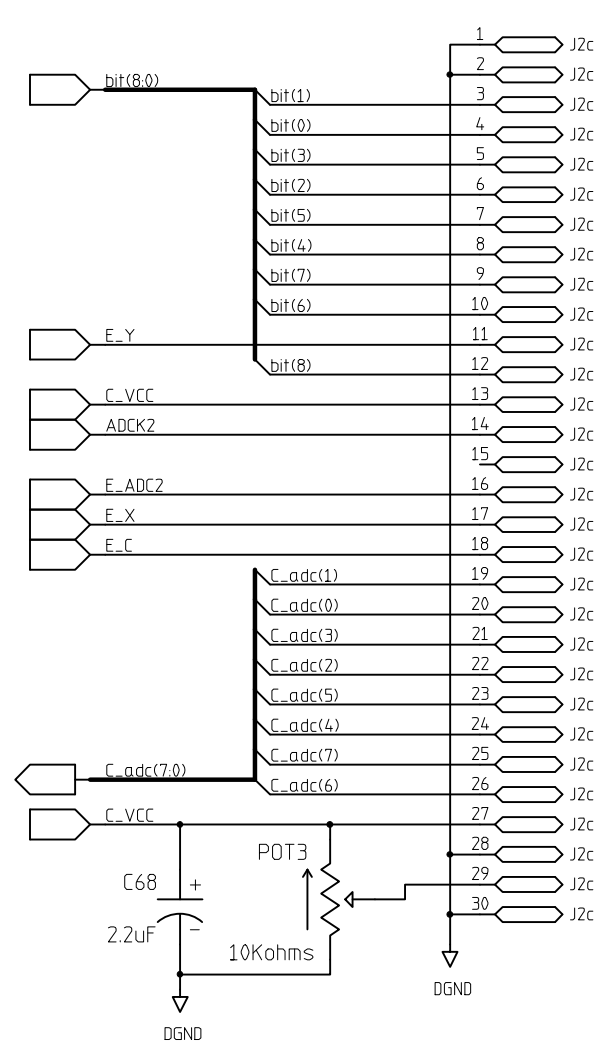
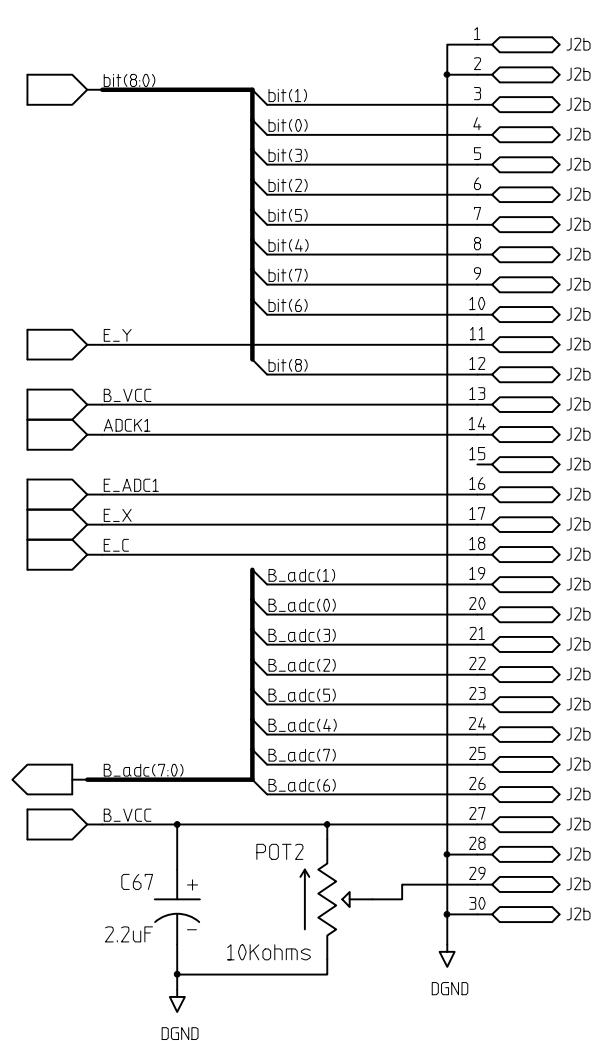
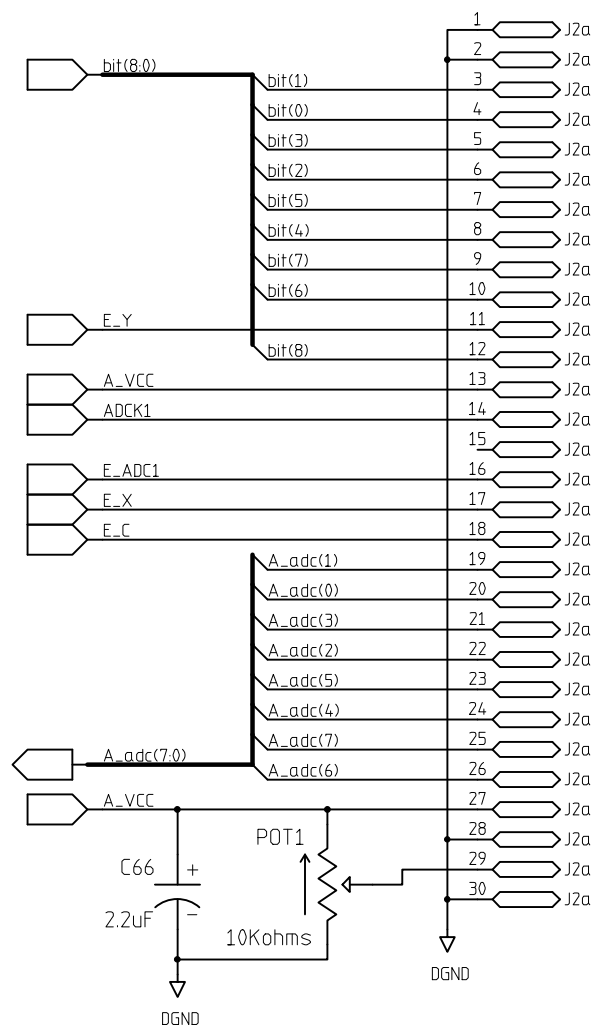
A


515.267.035.030

515.267.035.030

515.267.035.030

515.267.035.030




SPACE DYNAMICS LABORATORY
 UTAH STATE UNIVERSITY RESEARCH FOUNDATION
 North Logan, Utah 84341

TITLE
USUSAT/ION-F Camera Board CMOS Camera Interface

SCHEMATIC NAME camera_interface	INSTANCE NAME camera_interfac1	DRAWING NUMBER 30-0009	SCH REV -
---	--	---------------------------	--------------

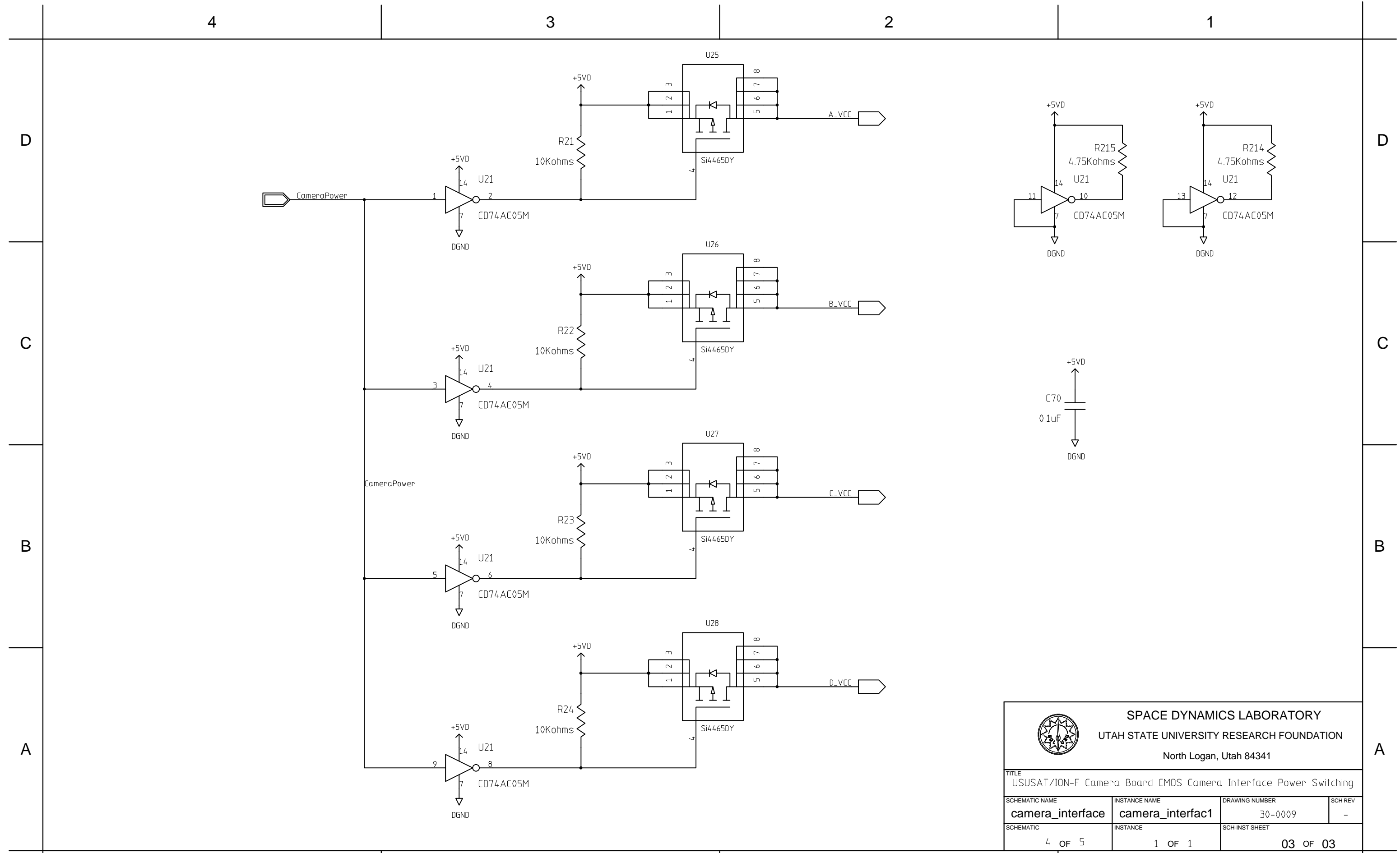
SCHEMATIC 4 OF 5	INSTANCE 1 OF 1	SCH-INST SHEET 02 OF 03
---------------------	--------------------	----------------------------

4

3

2

1



SPACE DYNAMICS LABORATORY
 UTAH STATE UNIVERSITY RESEARCH FOUNDATION
 North Logan, Utah 84341

TITLE USUSAT/10N-F Camera Board CMOS Camera Interface Power Switching			
SCHEMATIC NAME camera_interface	INSTANCE NAME camera_interfac1	DRAWING NUMBER 30-0009	SCH REV -
SCHEMATIC 4 OF 5	INSTANCE 1 OF 1	SCH-INST SHEET 03 OF 03	

4

3

2

1

D

D

C

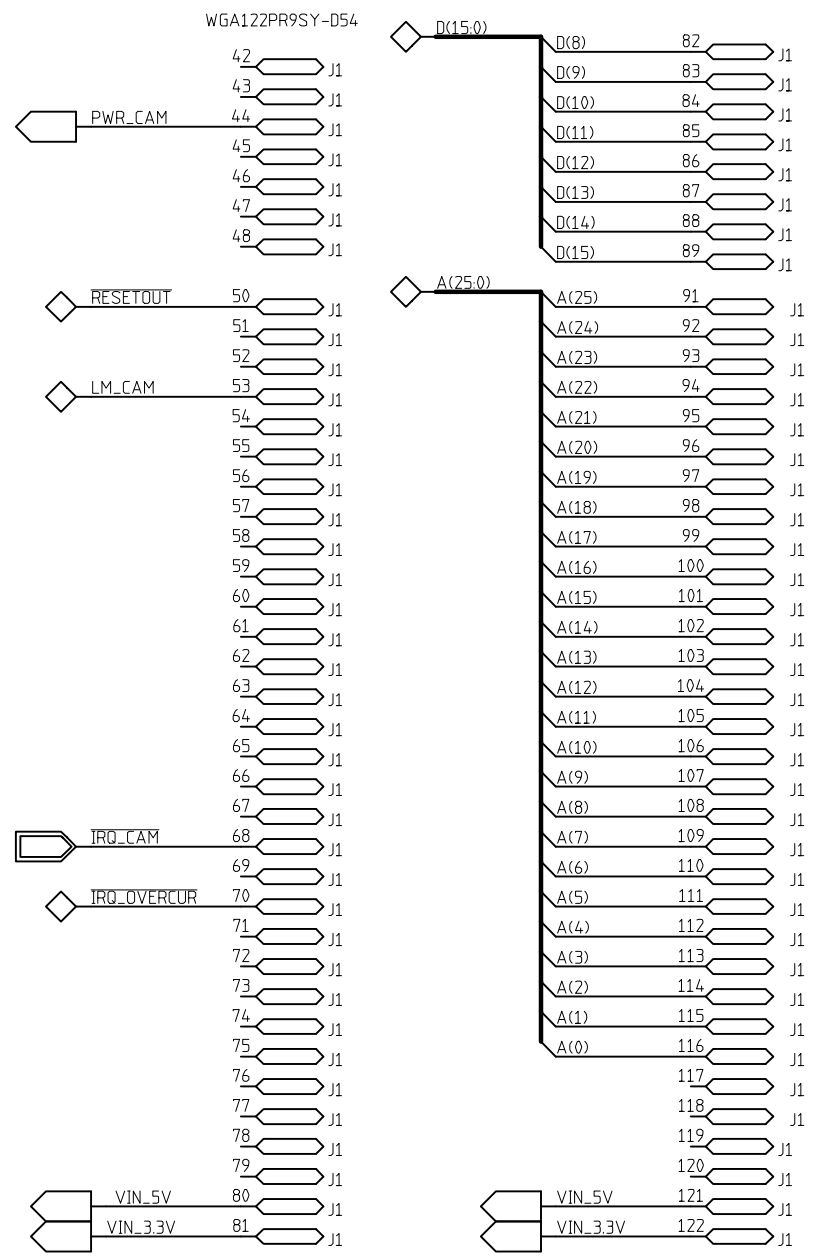
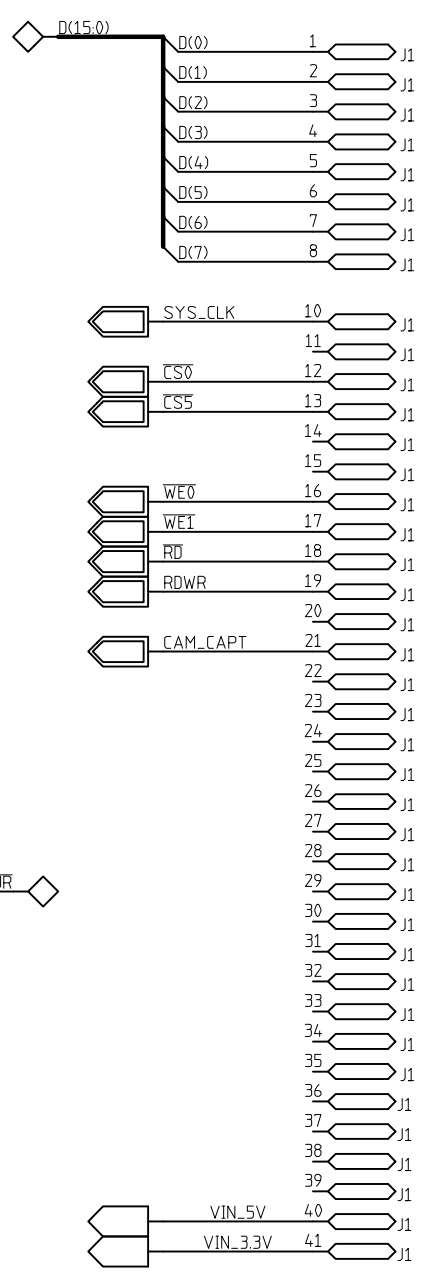
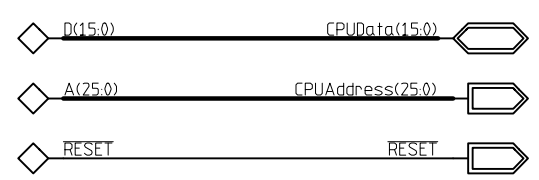
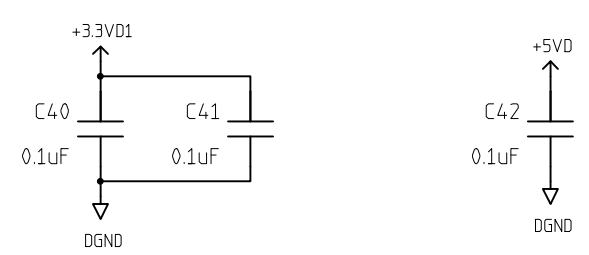
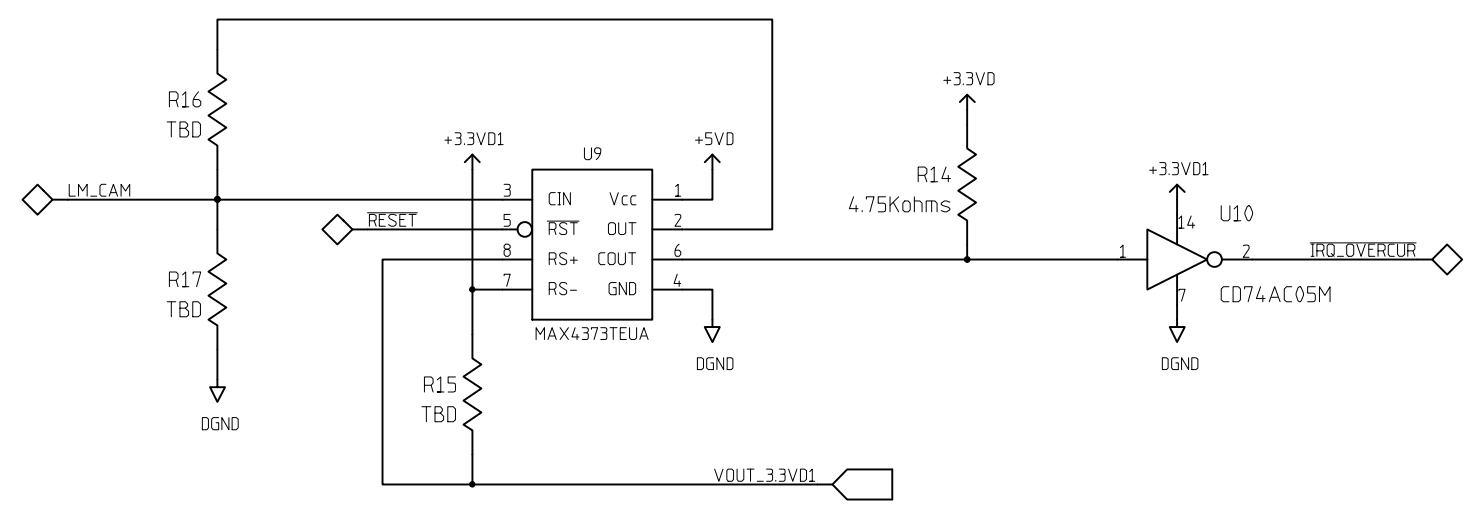
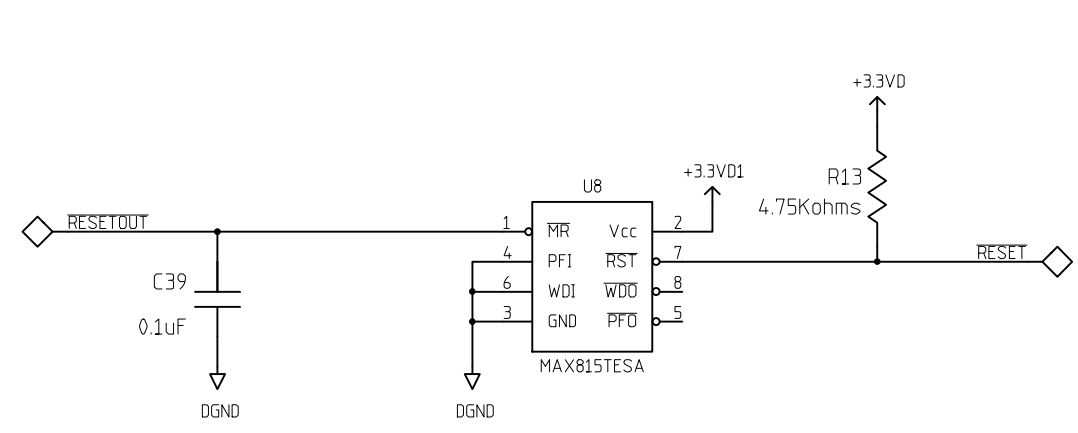
C

B

B

A

A



SPACE DYNAMICS LABORATORY
UTAH STATE UNIVERSITY RESEARCH FOUNDATION
 North Logan, Utah 84341

TITLE: USUSAT/ION-F Camera Board Backplane Interface

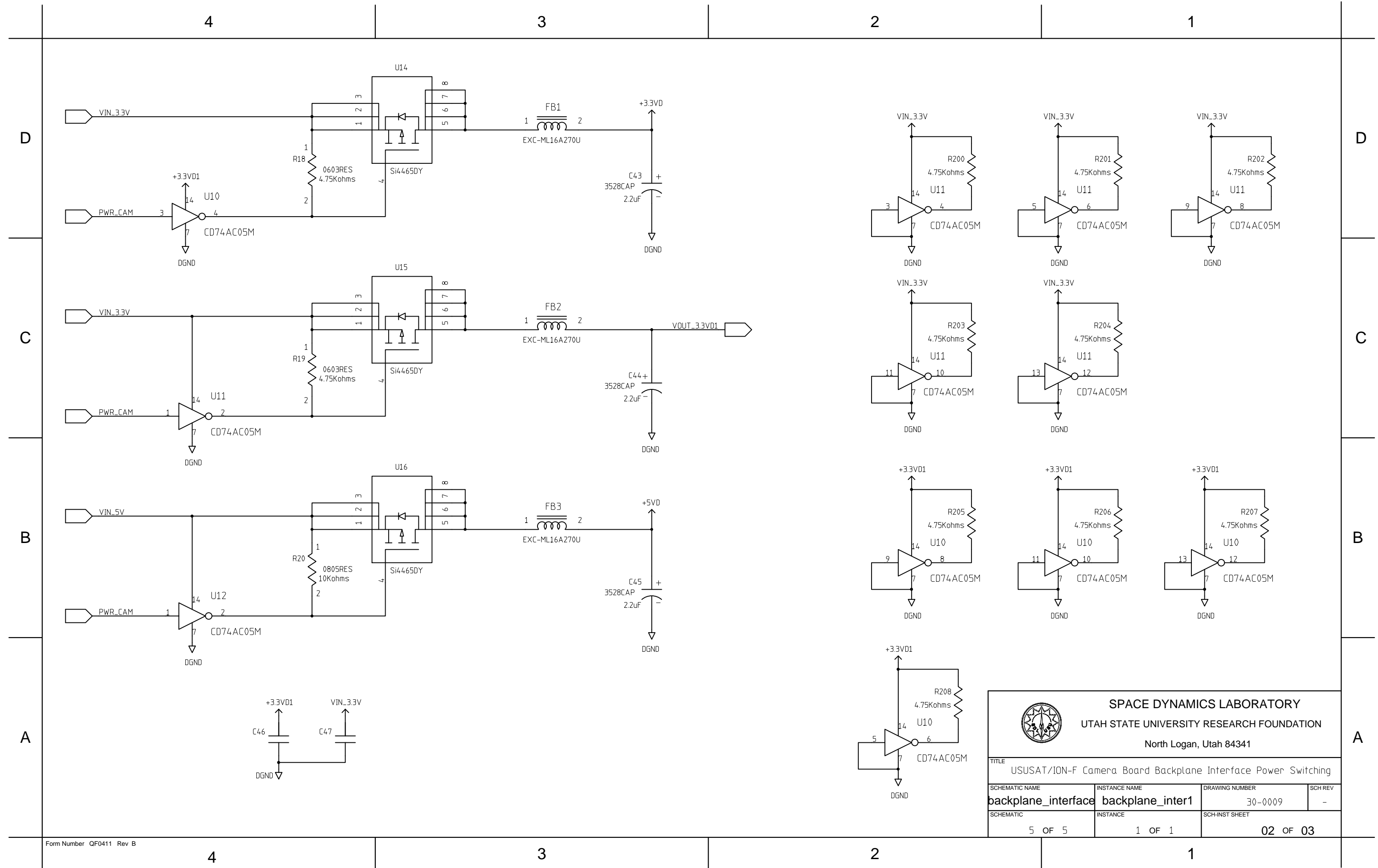
SCHEMATIC NAME	INSTANCE NAME	DRAWING NUMBER	SCH REV
backplane_interface	backplane_inter1	30-0009	-
SCHEMATIC	INSTANCE	SCH-INST SHEET	
5 OF 5	1 OF 1	01 OF 03	

4

3

2

1



SPACE DYNAMICS LABORATORY
 UTAH STATE UNIVERSITY RESEARCH FOUNDATION
 North Logan, Utah 84341

TITLE USUSAT/ION-F Camera Board Backplane Interface Power Switching			
SCHEMATIC NAME backplane_interface	INSTANCE NAME backplane_inter1	DRAWING NUMBER 30-0009	SCH REV -
SCHEMATIC 5 OF 5	INSTANCE 1 OF 1	SCH-INST SHEET 02 OF 03	

4

3

2

1

D

D

C

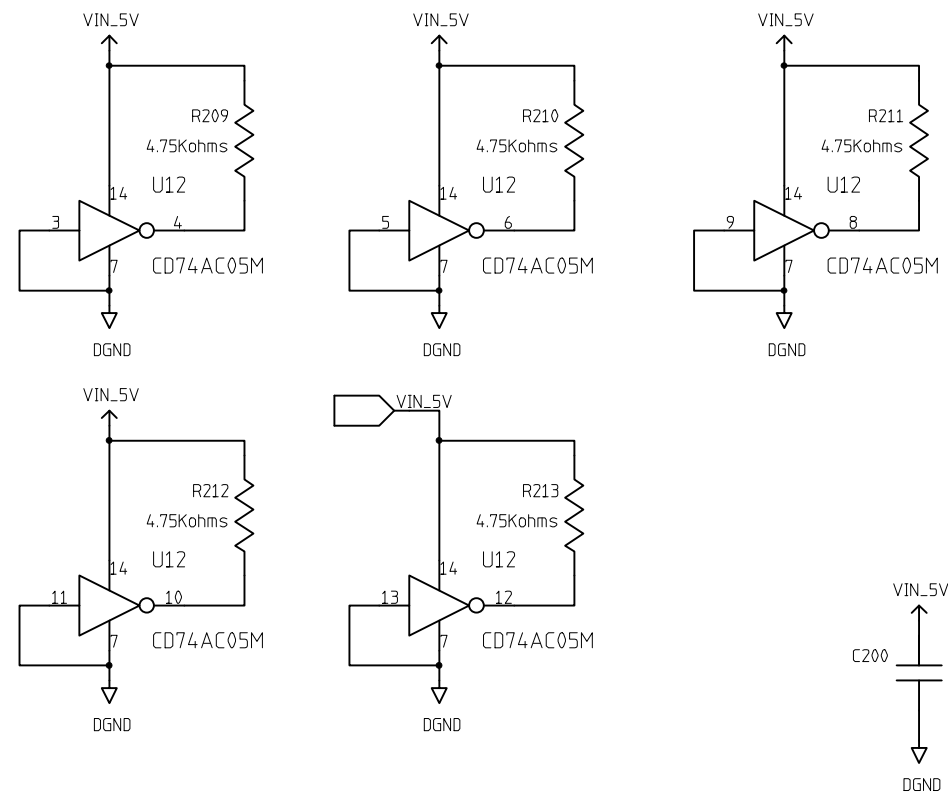
C


B

B

A

A



 <p>SPACE DYNAMICS LABORATORY UTAH STATE UNIVERSITY RESEARCH FOUNDATION North Logan, Utah 84341</p>			
TITLE USUSAT/ION-F Camera Board Backplane Interface Power Switching			
SCHEMATIC NAME	INSTANCE NAME	DRAWING NUMBER	SCH REV
backplane_interface	backplane_inter1	30-0009	-
SCHEMATIC	INSTANCE	SCH-INST SHEET	
5 OF 5	1 OF 1	03 OF 03	

4

3

2

1