

4

3

2

1

D

D

C

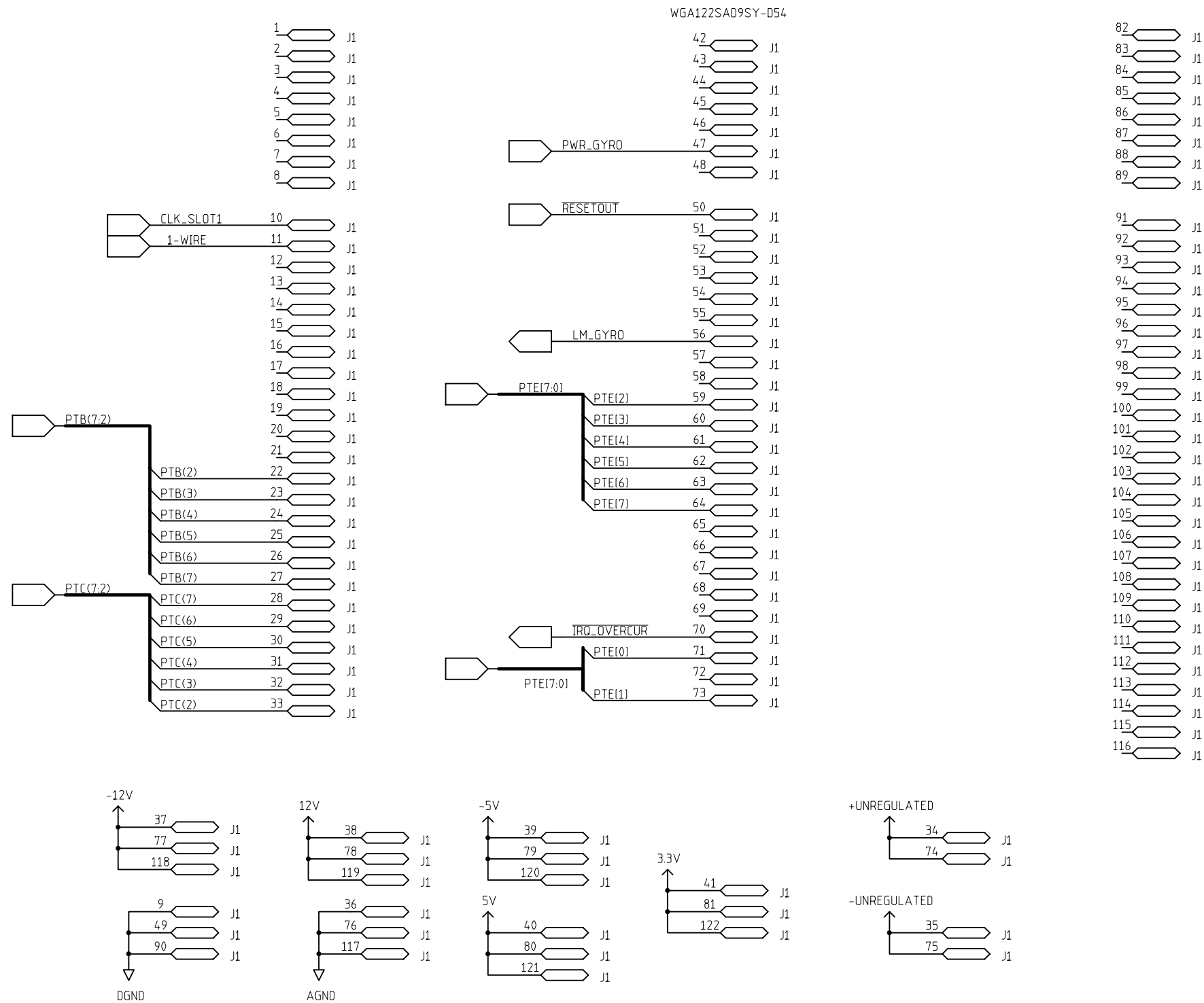
C

B


B

A

A



Develop a two-sided board for the backplane. Cover the backside with a ground plane that is not connected to the ground lines on the front side. If possible, extend the backside ground plane to the top side as well.

 <p style="text-align: center;">SPACE DYNAMICS LABORATORY UTAH STATE UNIVERSITY RESEARCH FOUNDATION North Logan, Utah 84341</p>			
<p>TITLE USUSAT/ION-F Backplane Board (UW) Gyro Board (Slot 1)</p>			
SCHEMATIC NAME	INSTANCE NAME	DRAWING NUMBER	REV
backplane.sbk		30-0027	-
SCHEMATIC	INSTANCE	SCH-INST SHEET	
01 OF 01	01 OF 01	1 OF 9	

4

3

2

1

4

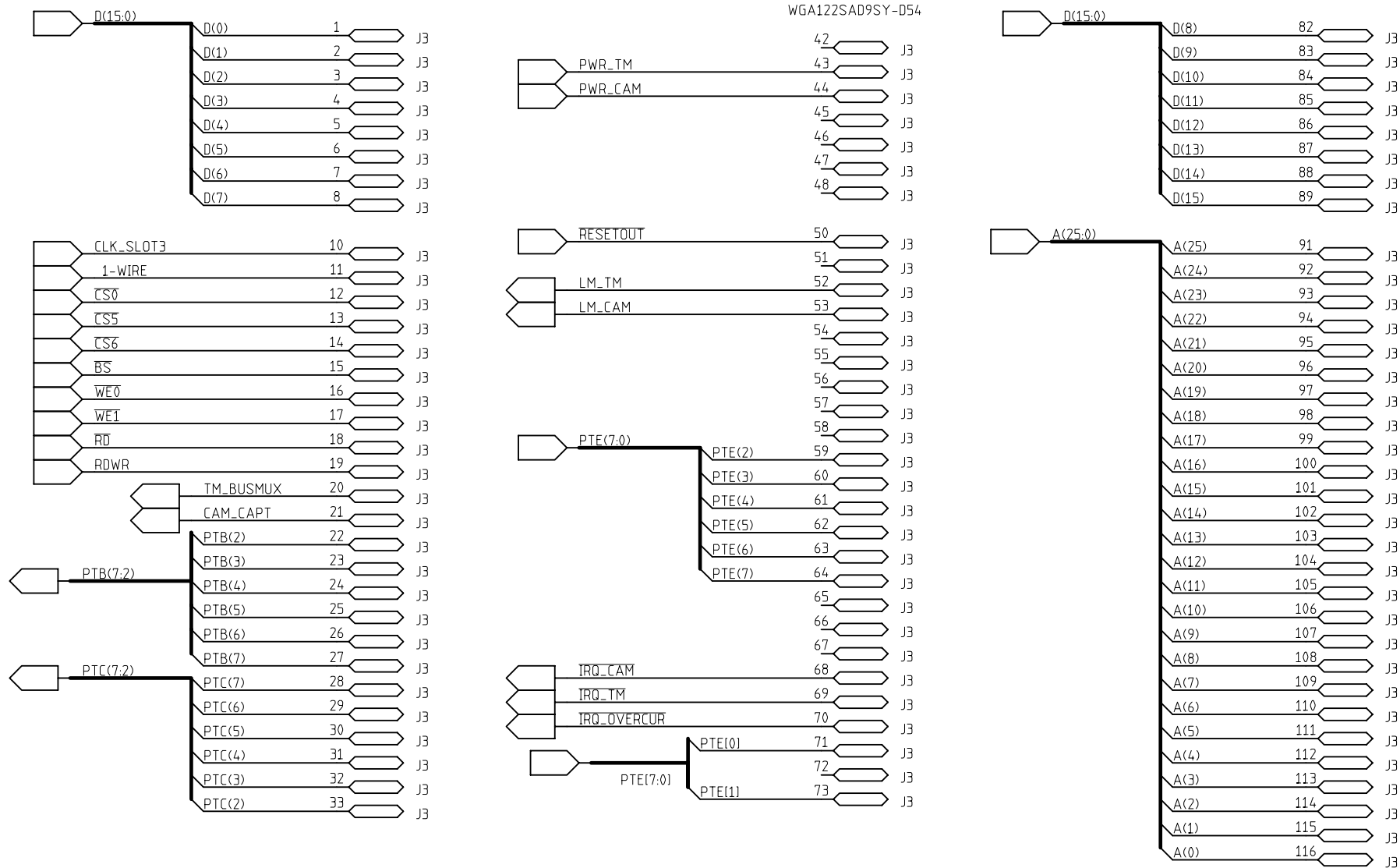
3

2

1

D

D



C

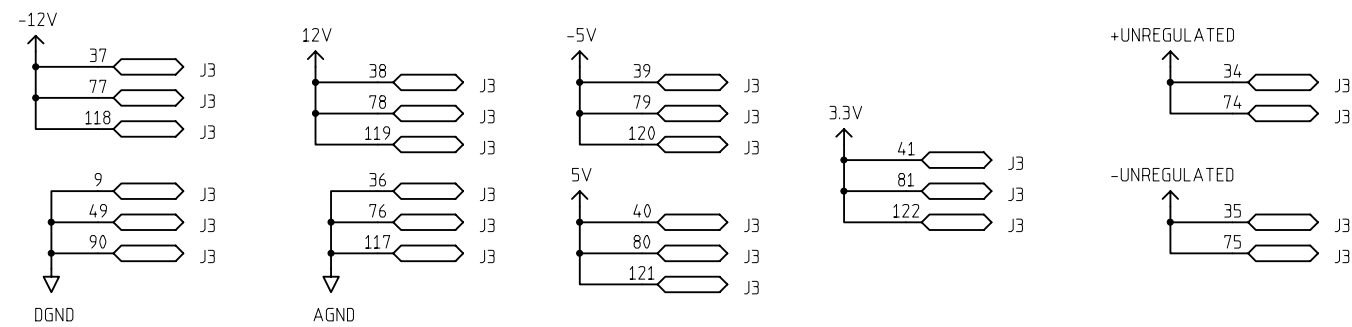
C


B

B

A

A



 SPACE DYNAMICS LABORATORY UTAH STATE UNIVERSITY RESEARCH FOUNDATION North Logan, Utah 84341			
TITLE USUSAT/ION-F Backplane Board (UW) Telemetry Board (Slot 3)			
SCHEMATIC NAME	INSTANCE NAME	DRAWING NUMBER	REV
backplane.sbk		30-0027	-
SCHEMATIC	INSTANCE	SCH-INST SHEET	
01 OF 01	01 OF 01	3 OF 9	

4

3

2

1

4

3

2

1

D

D

C

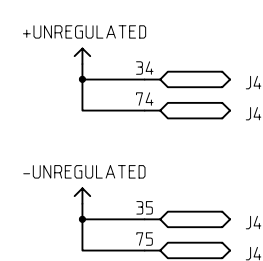
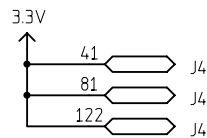
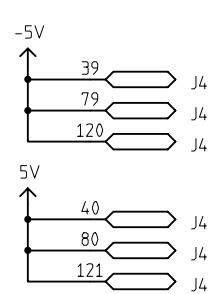
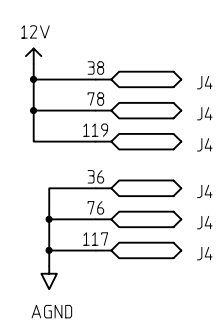
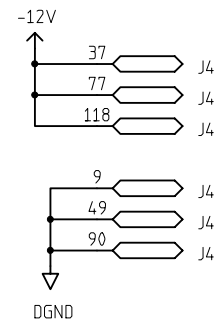
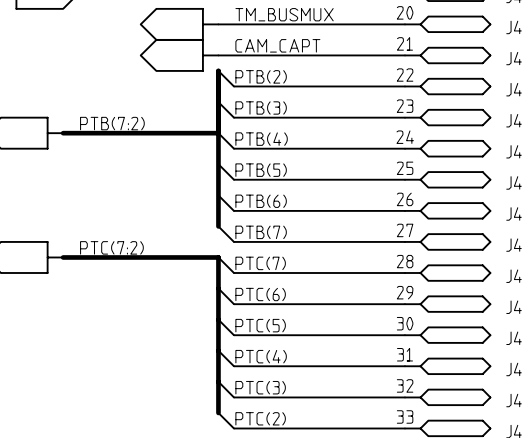
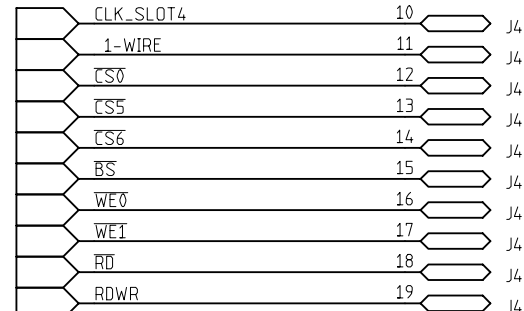
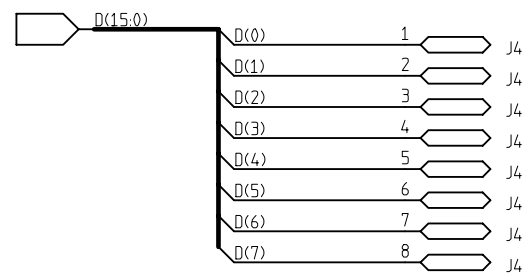
C

B

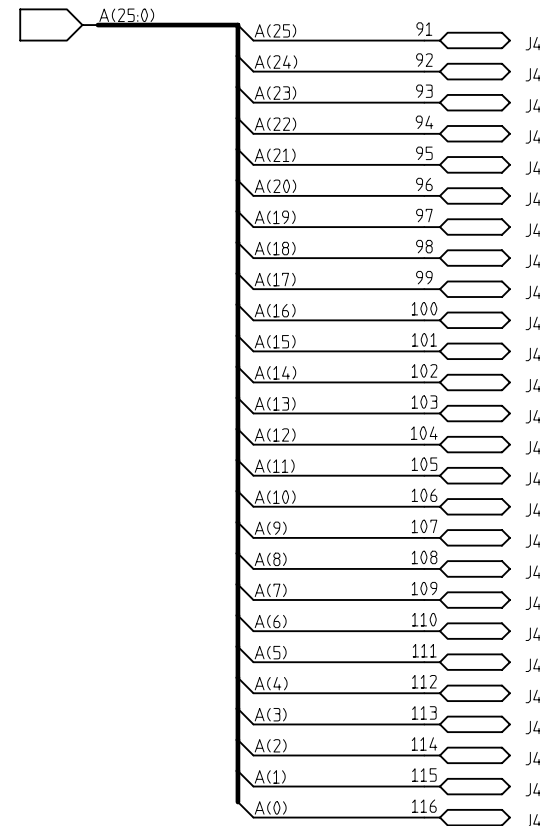
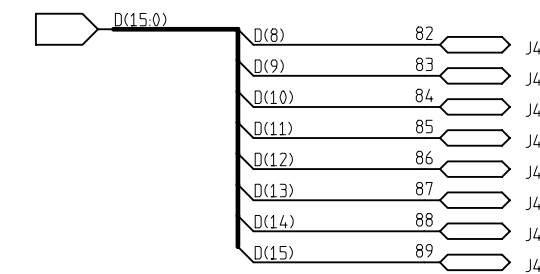
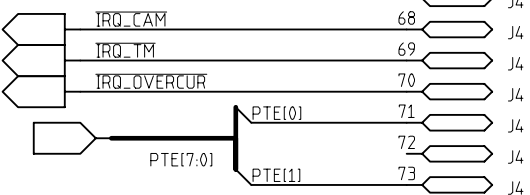
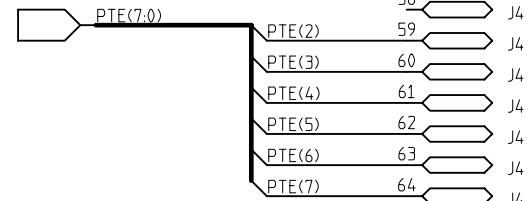
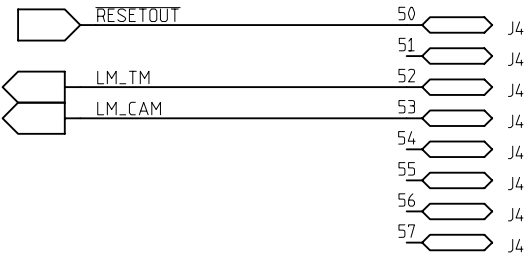
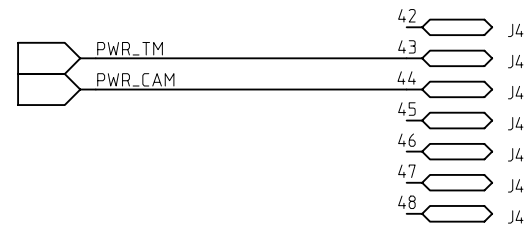
B

A

A



WGA122SAD9SY-D54



SPACE DYNAMICS LABORATORY
 UTAH STATE UNIVERSITY RESEARCH FOUNDATION
 North Logan, Utah 84341

TITLE USUSAT/ION-F Backplane Board (UW) Camera Board (Slot 4)			
SCHEMATIC NAME backplane.sbk	INSTANCE NAME	DRAWING NUMBER 30-0027	REV -
SCHEMATIC 01 OF 01	INSTANCE 01 OF 01	SCH-INST SHEET 4 OF 9	

4

3

2

1

4

3

2

1

D

D

C

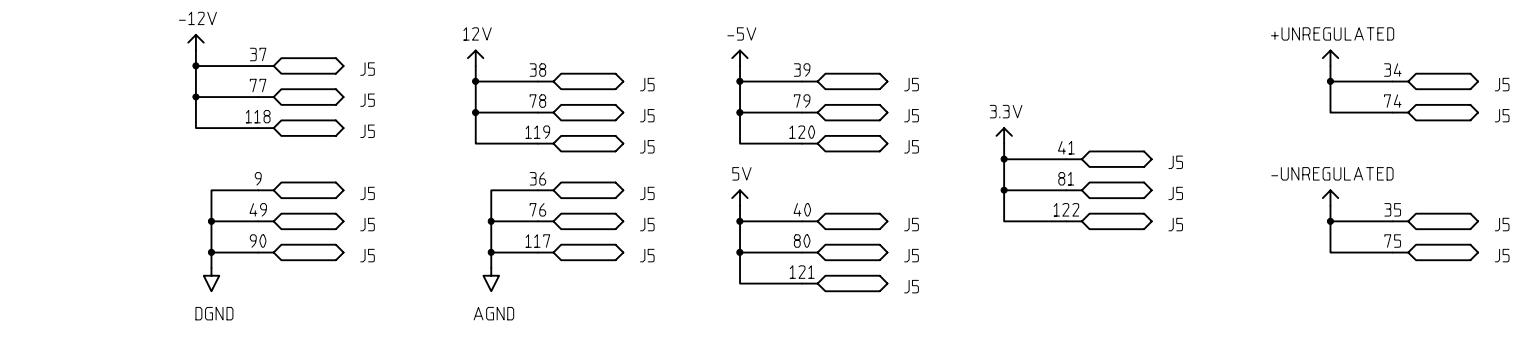
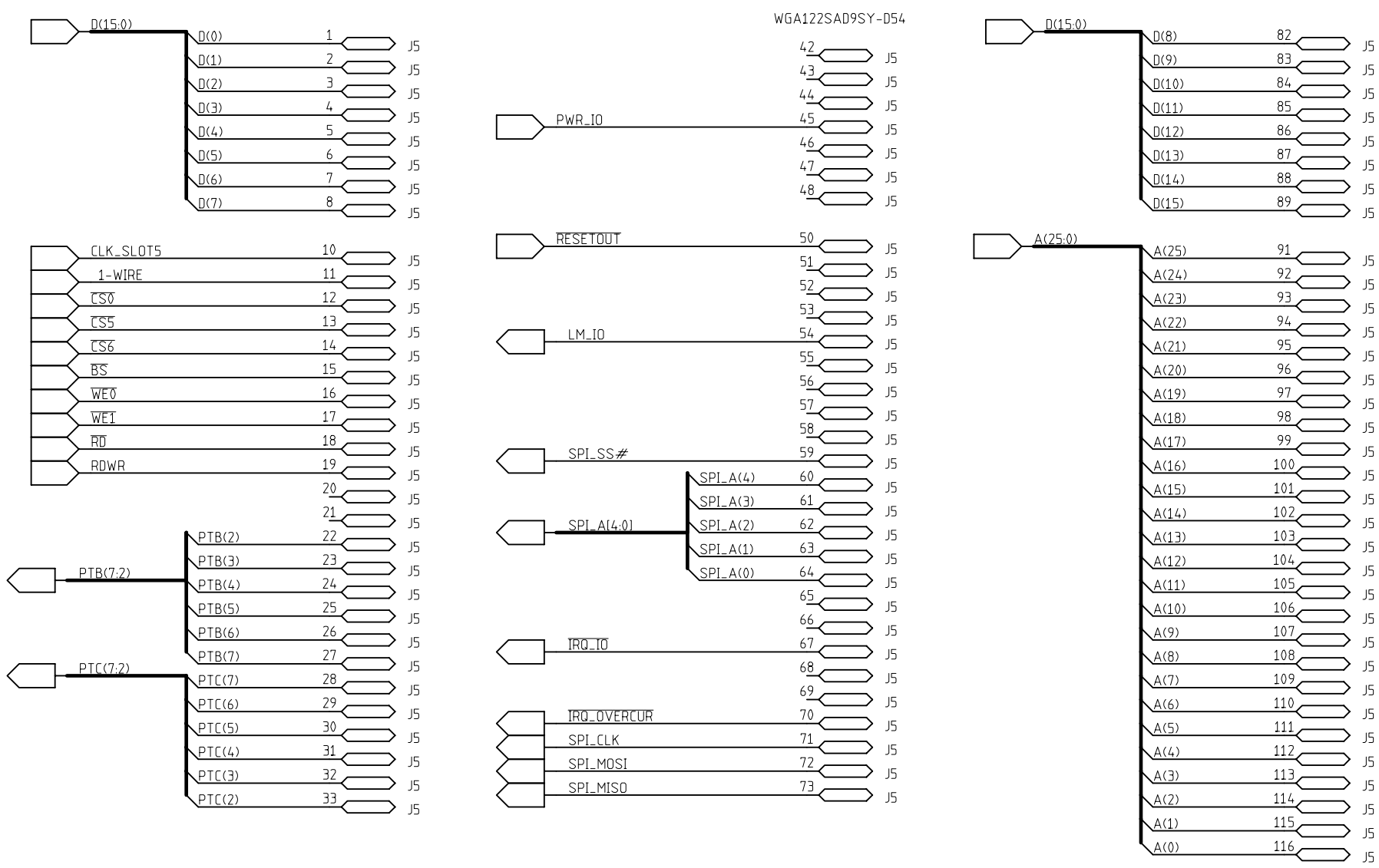
C


B

B

A

A



 SPACE DYNAMICS LABORATORY UTAH STATE UNIVERSITY RESEARCH FOUNDATION North Logan, Utah 84341			
TITLE USUSAT/ION-F Backplane Board (UW) I/O Board (Slot 5)			
SCHEMATIC NAME	INSTANCE NAME	DRAWING NUMBER	REV
backplane.sbk		30-0027	-
SCHEMATIC	INSTANCE	SCH-INST SHEET	
01 OF 01	01 OF 01	5 OF 9	

4

3

2

1

4

3

2

1

D

D

C

C

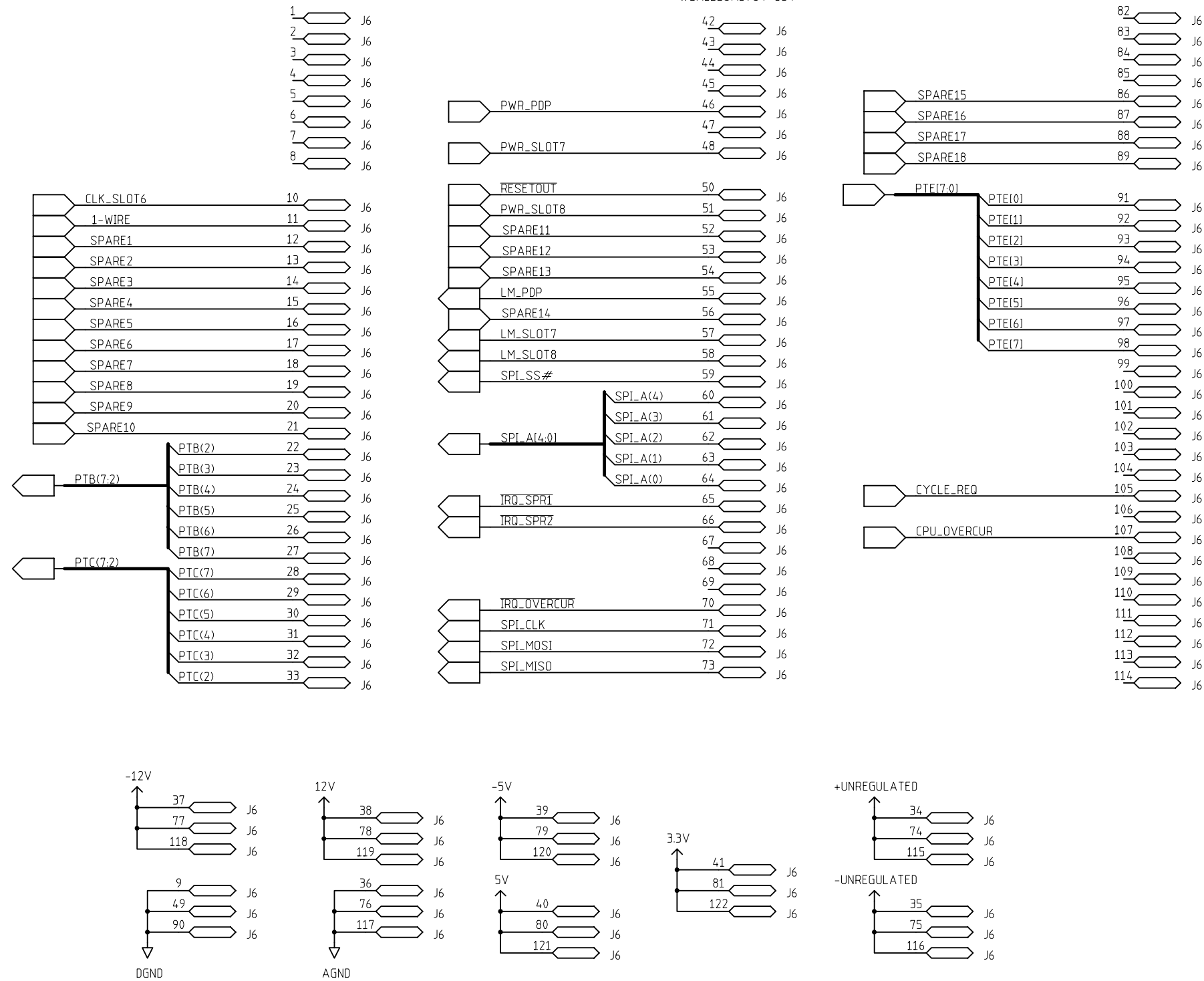
B


B

A

A

WGA122SA09SY-D54



 <p style="text-align: center;">SPACE DYNAMICS LABORATORY UTAH STATE UNIVERSITY RESEARCH FOUNDATION North Logan, Utah 84341</p>			
<p>TITLE: USUSAT/ION-F Backplane Board (UW) PDP Board (Slot 6)</p>			
SCHEMATIC NAME	INSTANCE NAME	DRAWING NUMBER	REV
backplane.sbk		30-0027	
SCHEMATIC	INSTANCE	SCH-INST SHEET	
01 OF 01	01 OF 01	6 OF 9	

4

3

2

1

4

3

2

1

D

D

C

C

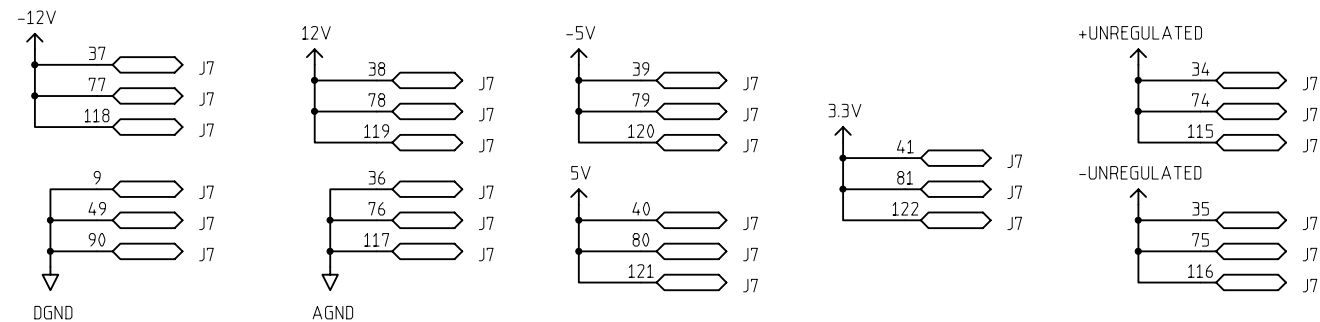
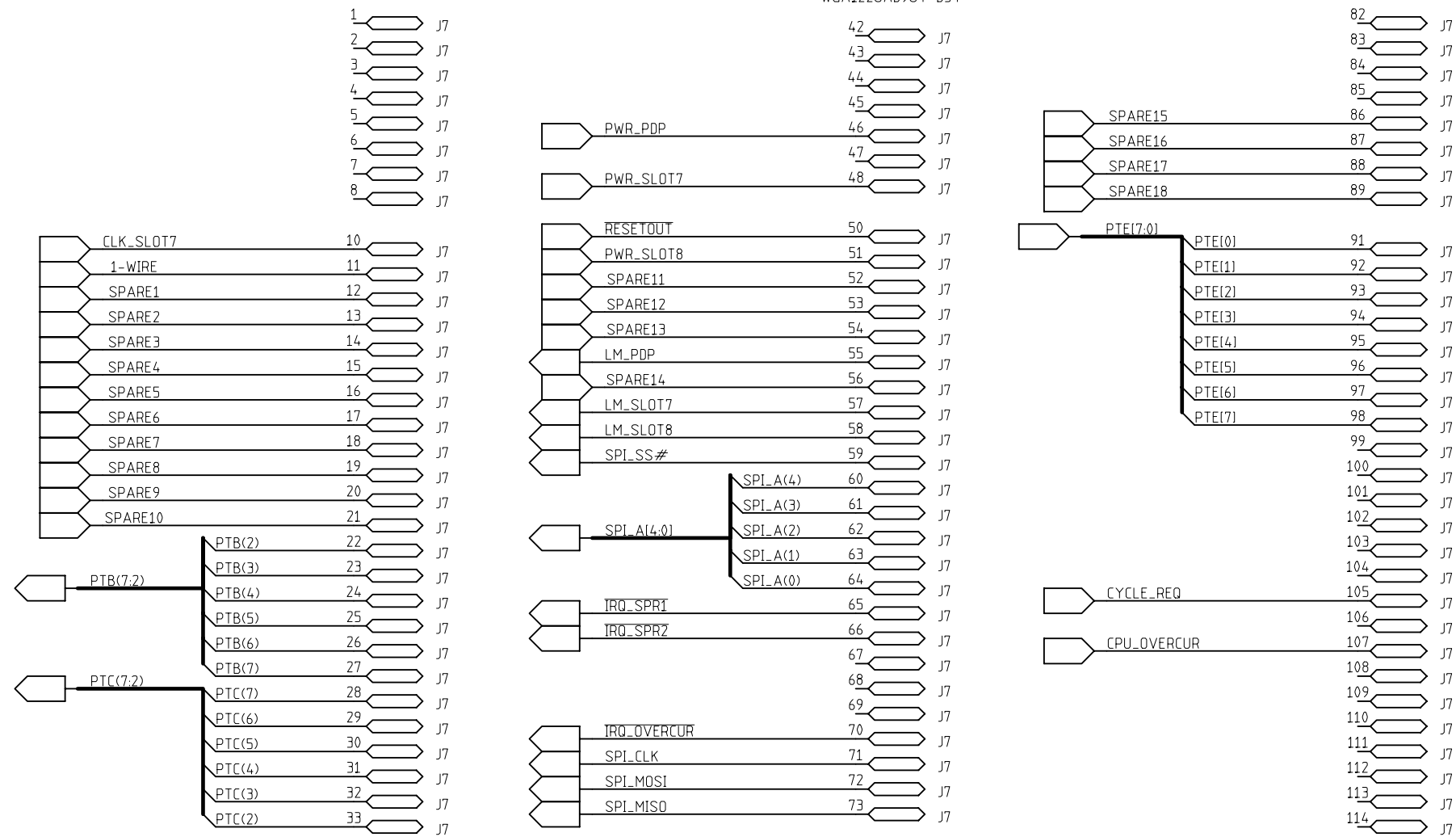
B


B

A

A

WGA122SAD9SY-D54



 SPACE DYNAMICS LABORATORY UTAH STATE UNIVERSITY RESEARCH FOUNDATION North Logan, Utah 84341			
TITLE USUSAT/ION-F Backplane Board (UW) Auxiliary Board 1 (Slot 7)			
SCHEMATIC NAME backplane.sbk	INSTANCE NAME	DRAWING NUMBER 30-0027	REV -
SCHEMATIC 01 OF 01	INSTANCE 01 OF 01	SCH-INST SHEET 7 OF 9	

4

3

2

1

4

3

2

1

D

D

C

C

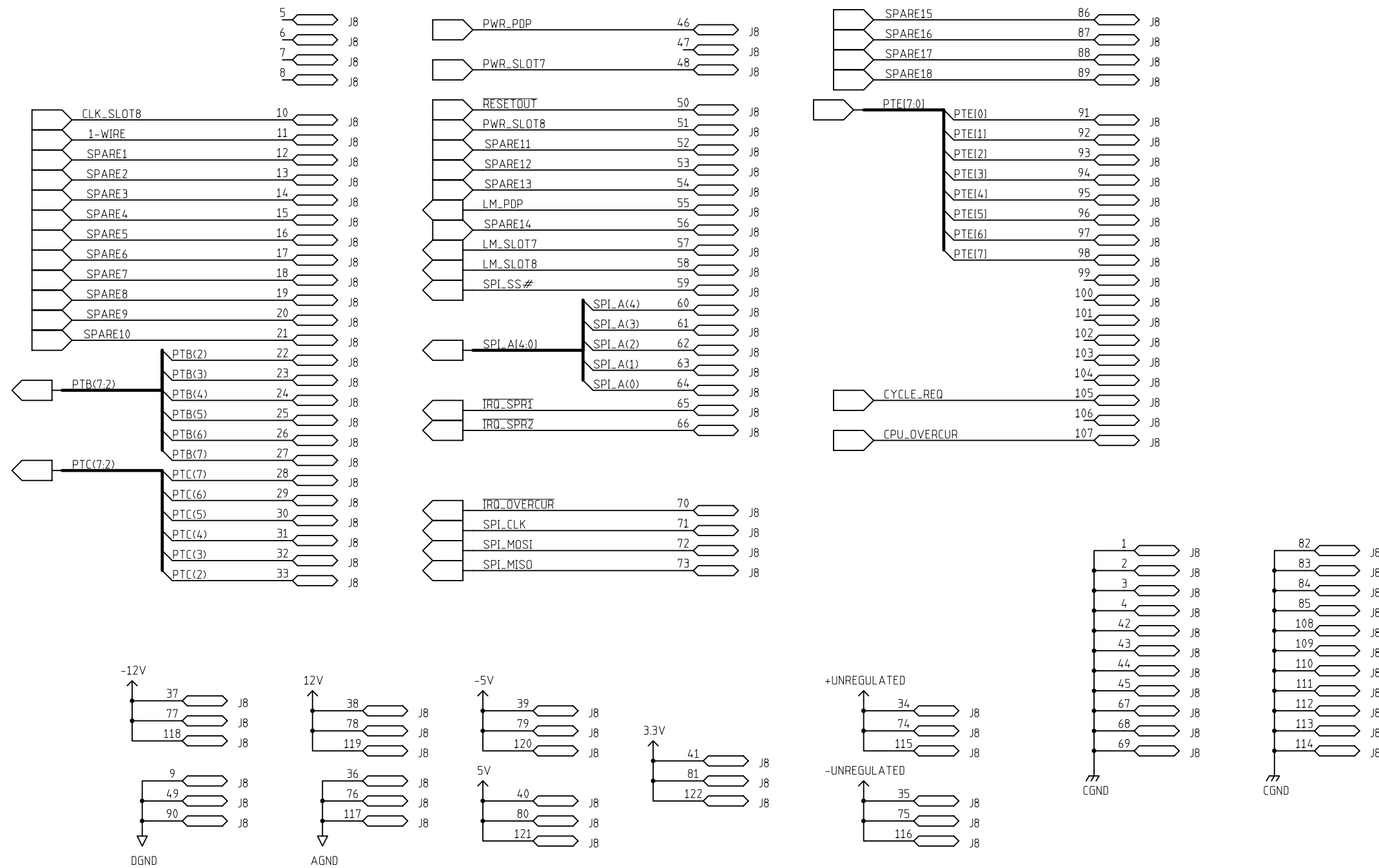
B


B

A

A

WGA122SAD9SY-D54



 <p style="text-align: center;">SPACE DYNAMICS LABORATORY UTAH STATE UNIVERSITY RESEARCH FOUNDATION North Logan, Utah 84341</p>			
<p style="text-align: center;">TITLE USUSAT/ION-F Backplane Board (UW) Power Board (Slot 8)</p>			
SCHEMATIC NAME	INSTANCE NAME	DRAWING NUMBER	REV
backplane.sbk		30-0027	-
SCHEMATIC	INSTANCE	SCH-INST SHEET	
01 OF 01	01 OF 01	8 OF 9	

4

3

2

1

4

3

2

1

WGA122SA09SY-D54

D

C

B

A

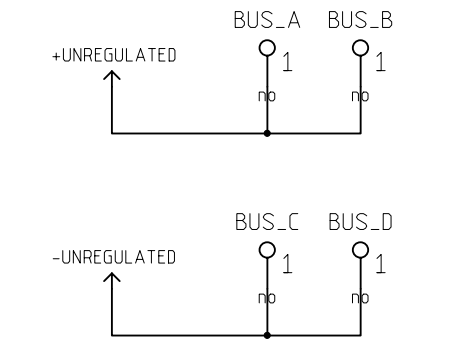
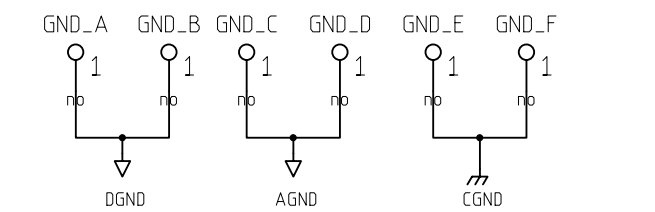
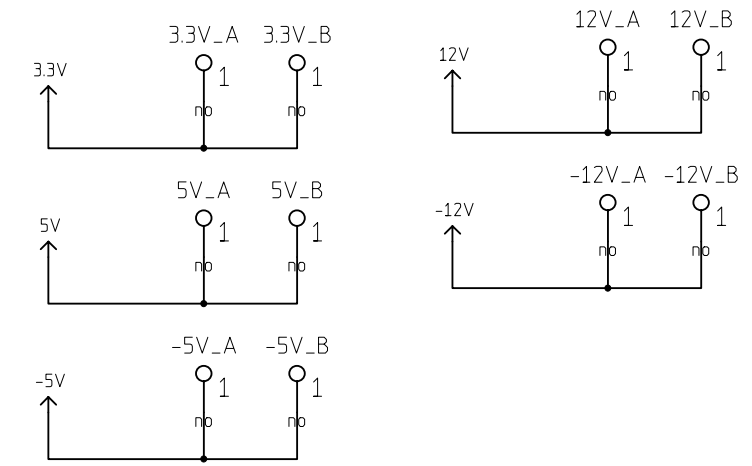
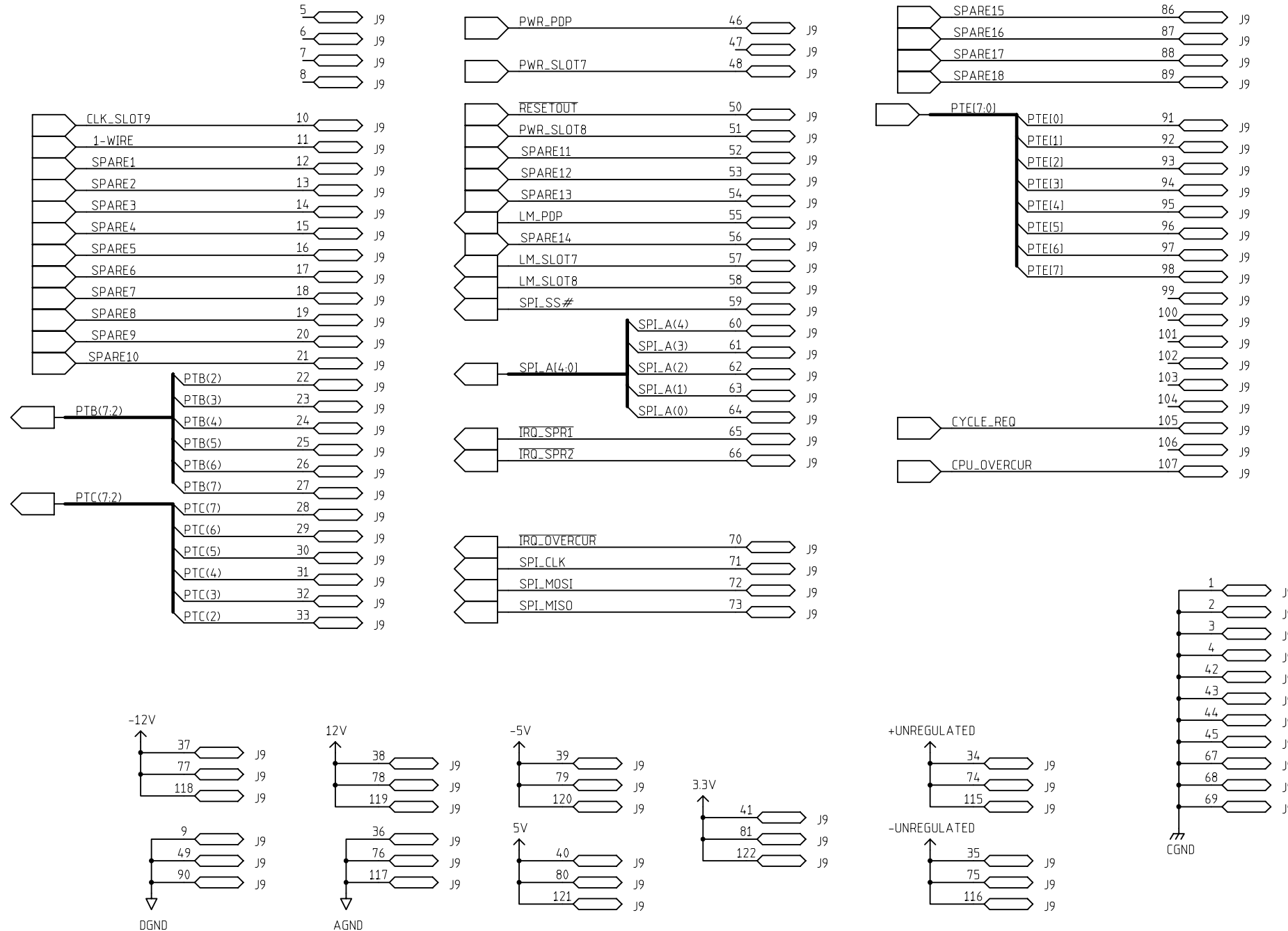
D


C

B

A

Place Test Holes Along End of Backplane, Adjacent to Slot 9




SPACE DYNAMICS LABORATORY
 UTAH STATE UNIVERSITY RESEARCH FOUNDATION
 North Logan, Utah 84341

TITLE USUSAT/ION-F Backplane Board Power Board (Slot 9)			
SCHEMATIC NAME backplane.sbk	INSTANCE NAME	DRAWING NUMBER 30-0016	REV -
SCHEMATIC 01 OF 01	INSTANCE 01 OF 01	SCH-INST SHEET 9 OF 9	

4

3

2

1