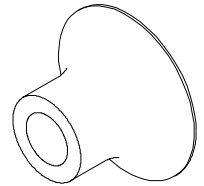
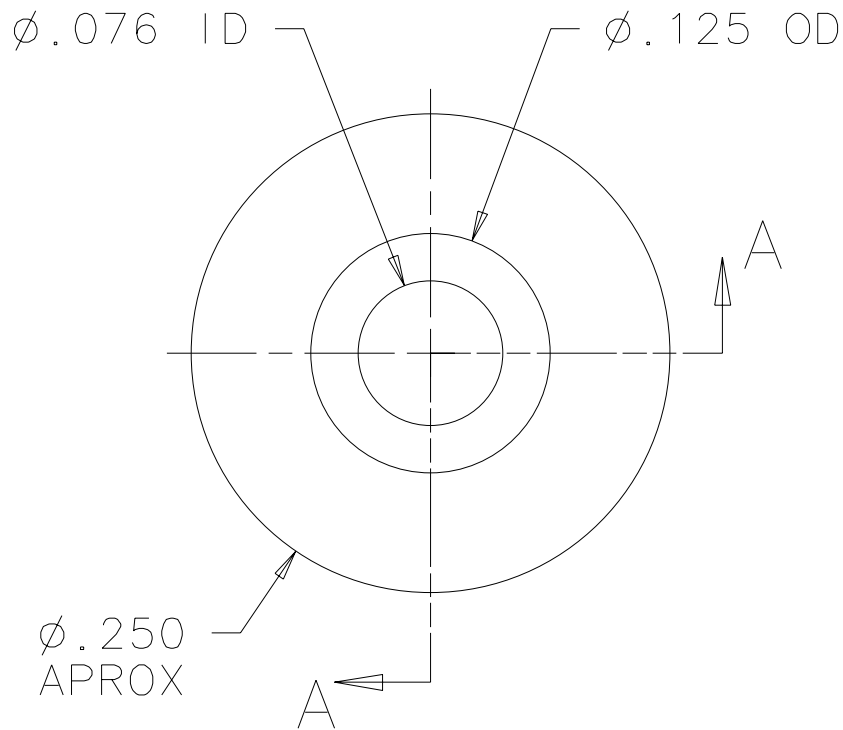
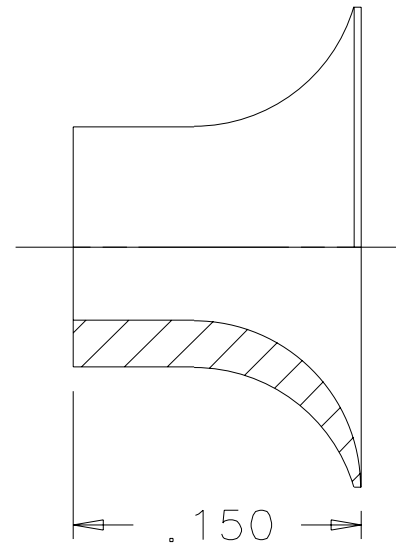


REVISIONS				
ZONE	REV	DESCRIPTION	RELEASED DATE	CHECKED BY




ISO VIEW
SCALE: 4/1



SECTION A-A
SCALE: 10/1

1			TUBING .125 DIA	COPPER
ITEM NO	QTY	PART OR IDENTIFYING NO	NOMENCLATURE OR DESCRIPTION	MATERIAL SPECIFICATION

PARTS LIST

UNLESS OTHERWISE SPECIFIED DIMENSIONS ARE IN INCHES TOLERANCES ARE: FRACTIONS DECIMALS ANGLES ±1/16 .XX=±0.01 ±0.1° .XXX=±0.005	CONTRACT NO.		 SPACE DYNAMICS LABORATORY UTAH STATE UNIVERSITY RESEARCH FOUNDATION North Logan, Utah
	APPROVALS	DATE	
	DESIGN W. ROEBER	08/21/00	
	ENGINEERING C. FISH	08/21/00	
TREATMENT	N/A	TITLE	COPPER STEM .125 DIA, ION-F
FINISH	N/A	SIZE	A
	Q.A.	SCALE	10:1
	RELEASED	DWG NO.	30-0005
	D. HEINER	REV	-
	08/21/00	THIS DOCUMENT, WHEN PRINTED, IS FOR REFERENCE ONLY	
DO NOT SCALE DRAWING		SHEET 1 OF 1	

N/A	ION-F
NEXT ASSY	PROJECT