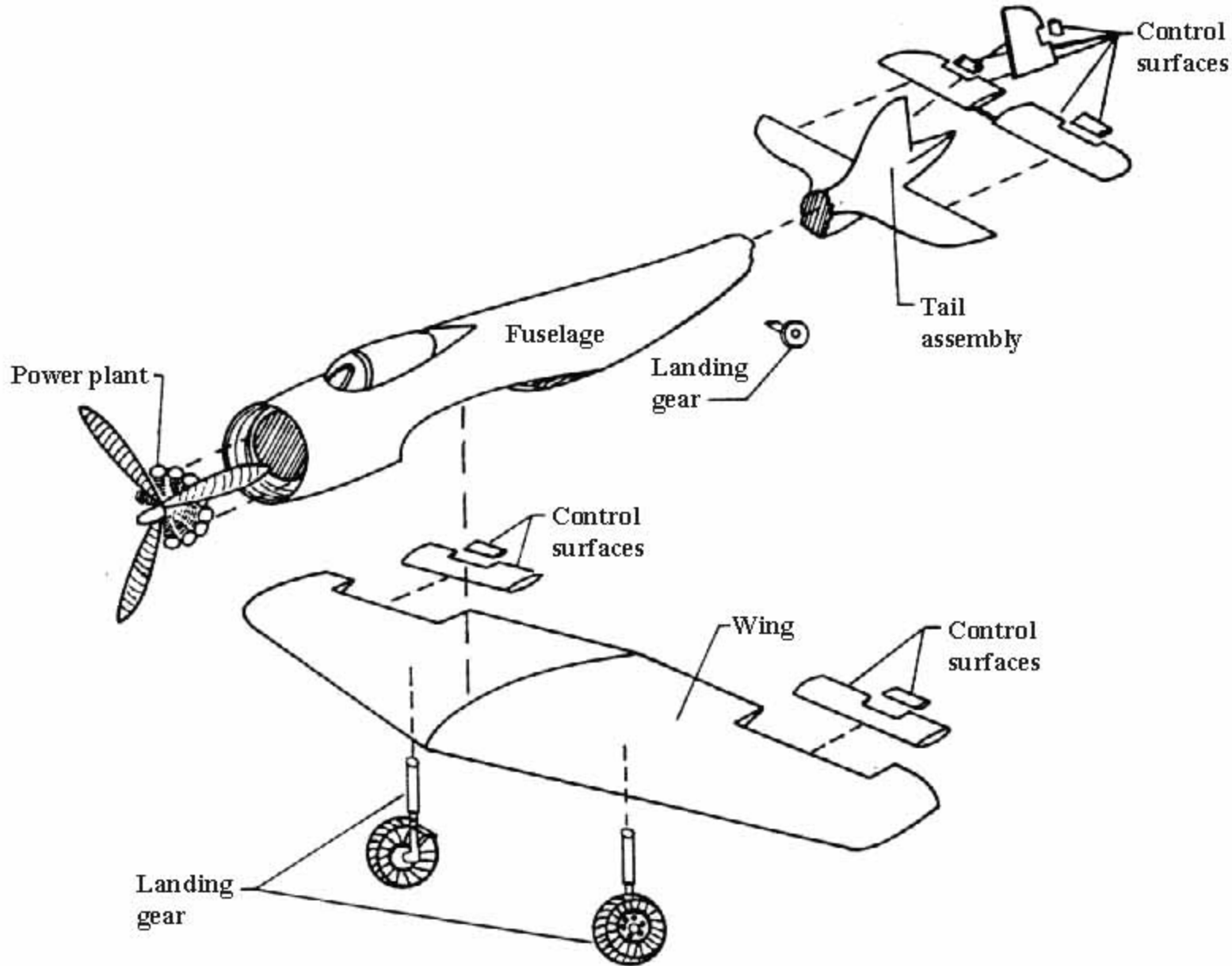
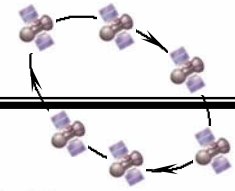
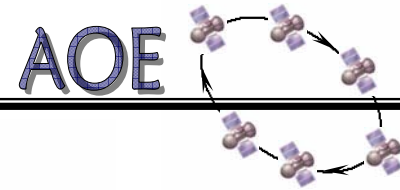


# Anatomy of an Aircraft

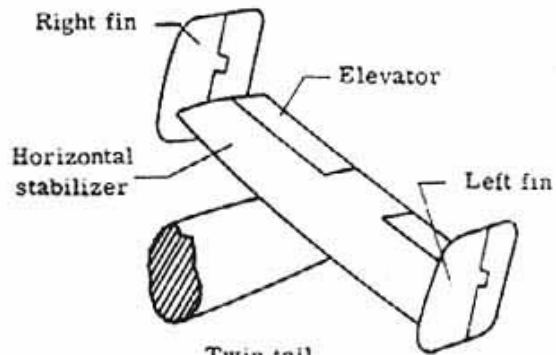
AOE



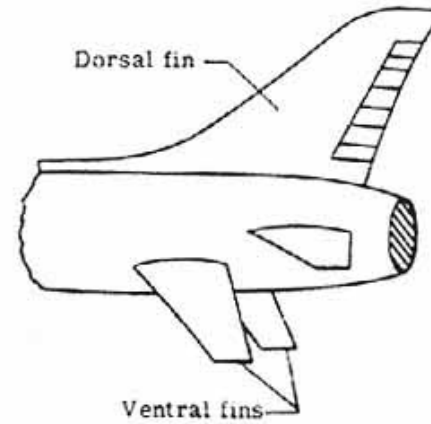
# Tail Configurations



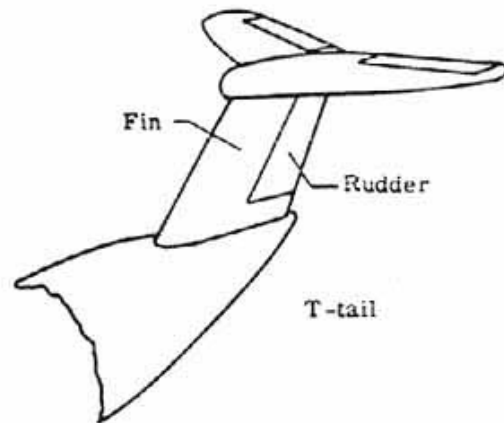
Standard tail



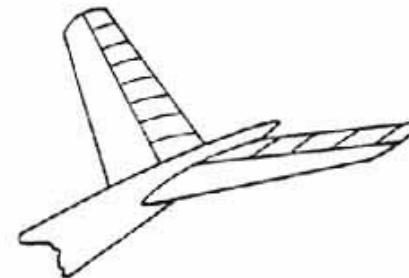
Twin tail



Ventral fins

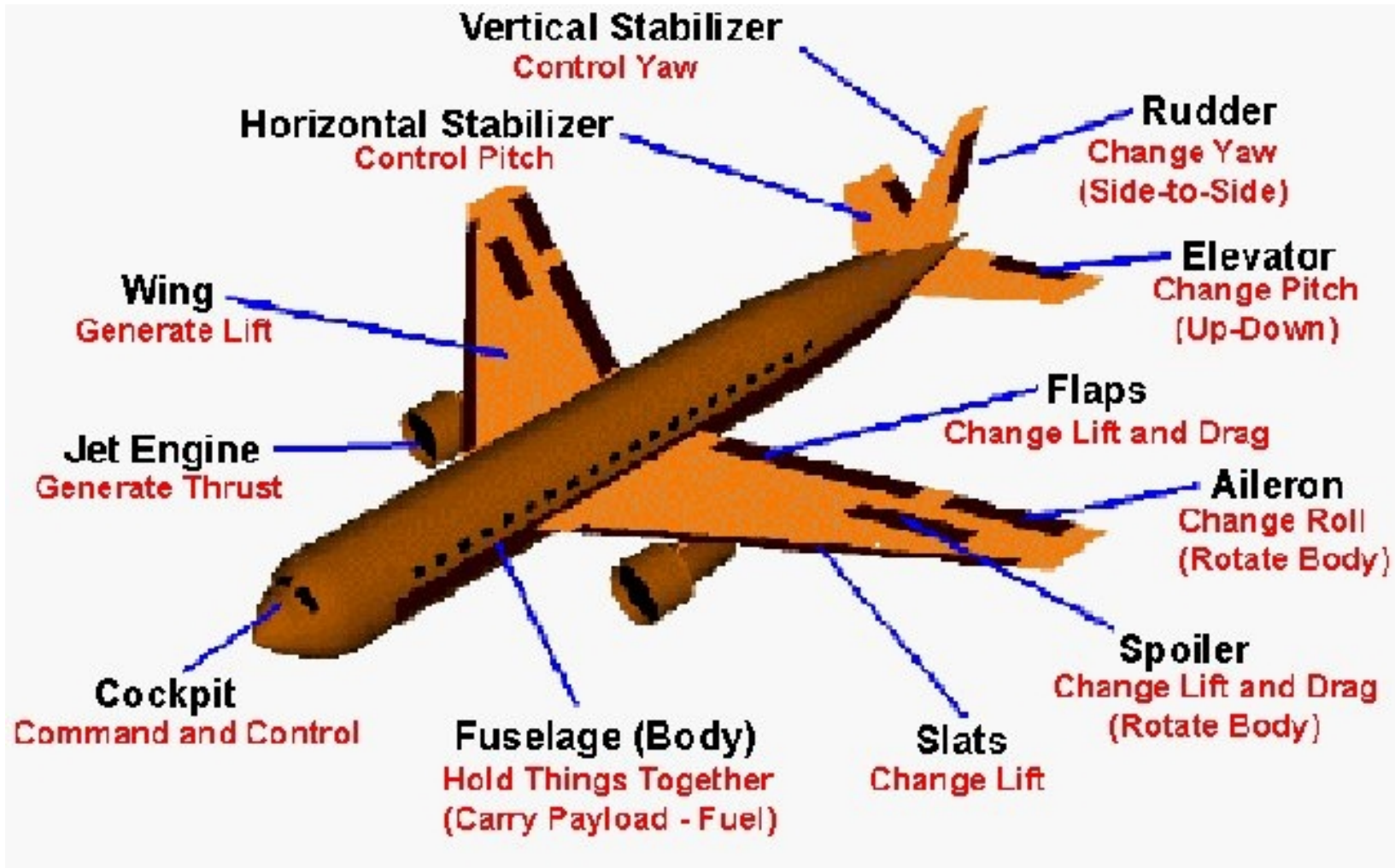
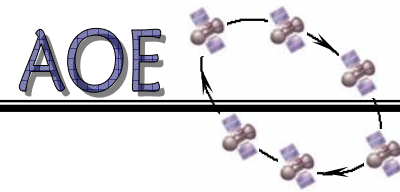


T-tail

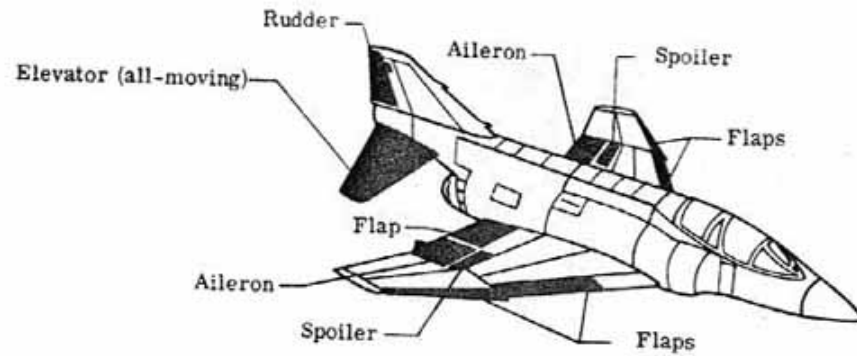
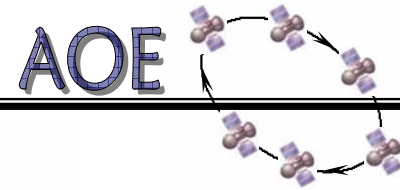


V-butterfly-tail

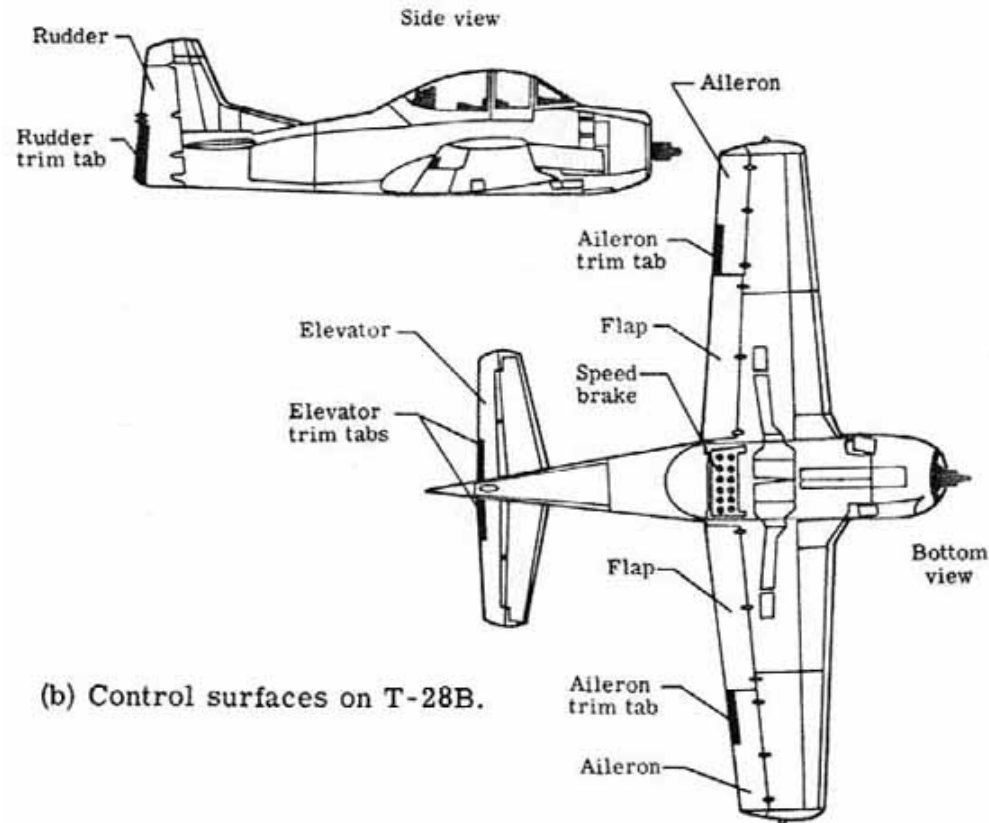
# Anatomy of an Aircraft



# Control Surfaces



(a) Control surfaces on F-4B Phantom.



(b) Control surfaces on T-28B.

# Jet Aileron Configuration

